

Sloop II

Electric Actuator



Via Circonvallazione, 10
13018 Valduggia (VC), Italy
Tel: +39 0163 47891
Fax: +39 0163 47895
www.vironline.com



Electric actuator with ISO 5211 connection
Double insulated cover according CEI/EN 60335-1
Max torque 15Nm, working torque 8Nm
Travel 90° in 60 seconds
Manual override, integral heater
F05 connection, stem connection $\square 9\text{mm}$ or $\square 11\text{mm}$
With 80cm electric wire
Enclosure protection IP65
CE compliant

Power supply 50Hz/60Hz, versions for 230VAC or 24VAC available
2 points (ON/OFF) or 3 points control
Available in the following versions:

- With auxiliary dry open limit switch (Max 230VC / 6A)
- With open and close limit switches connected to power supply

Working temperature: -10° to $+55^{\circ}\text{C}$



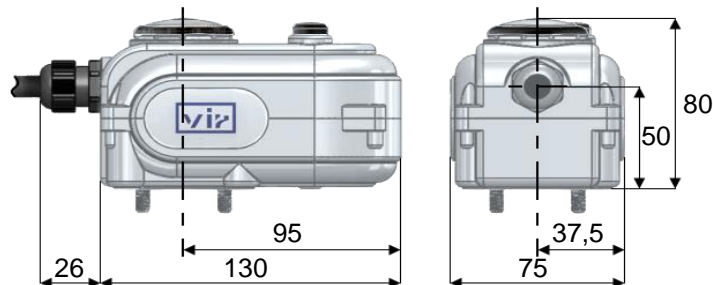
TECHNICAL DATA

VIR code	P. Supply	Control	Power
KASLOOP24.800	230VAC	2 points	6W
KASLOOP28.800	230VAC	3 points	6W
KASLOOP32.800	230VAC	2 points	6W
KASLOOP22.800	24VAC	2 points	6W
KASLOOP25.800	24VAC	3 points	6W
KASLOOP33.800	24VAC	2 points	6W

¹Available variants with thermal break (KASLOOP34.800) and with 8W, 10" and 8/6Nm (KASLOOP35.800)

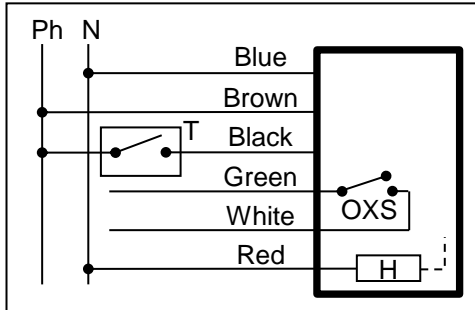
DIMENSIONS

Dimension in mm, weight 0,8kg

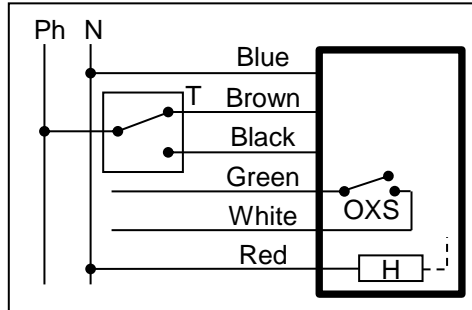


WIRING DIAGRAMS

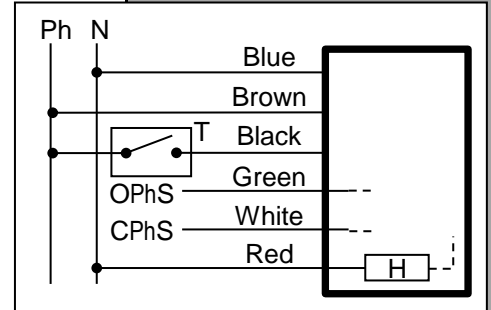
Ref.	Designation
OXS	Auxiliary open limit switch
OPhS	Phase on open actuator
CPhS	Phase on close actuator
T	Control switch (thermostat)
H	Integral heater
N	Wiring to neutral
Ph	Wiring to phase



KASLOOP22.800,
KASLOOP24.800,
KASLOOP34.800 and
KASLOOP35.800



KASLOOP25.800 and
KASLOOP28.800



KASLOOP32.800 and
KASLOOP33.800



Via Circonvallazione, 10
13018 Valduggia (VC), Italy
Tel: +39 0163 47891
Fax: +39 0163 47895
www.vironline.com