

# 95TP

DZR Brass Test Point



Via Circonvallazione, 10  
13018 Valduggia (VC), Italy  
Tel: +39 0163 47891  
Fax: +39 0163 47895  
www.vironline.com

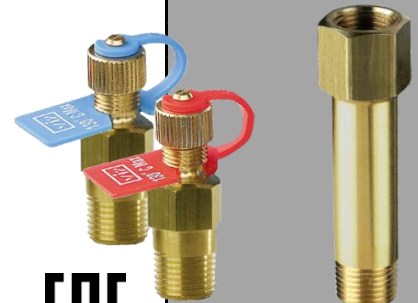


DZR brass test point  
Threaded M 1/4" (ISO7/1 R)  
Needle connection threaded M 3/8"-24 (UNF)  
Optional DZR brass extension threaded M/F 1/4" (ISO7/1 R/Rp)  
TR CU 010 compliant

PN25 (Max 25bar up to 100°C, max 20bar at 130°C)  
Free of CE marking (cat. according to Art. 4.3 Dir. 2014/68/EU)

Working conditions

- Suitable for: water, -10°C to +130°C  
below 0°C only for water with added antifreeze fluids  
over 100°C only for water with added anti-boiling fluids
- Not suitable for: gases group 1 & 2, liquids group 1 (Dir. 2014/68/UE)

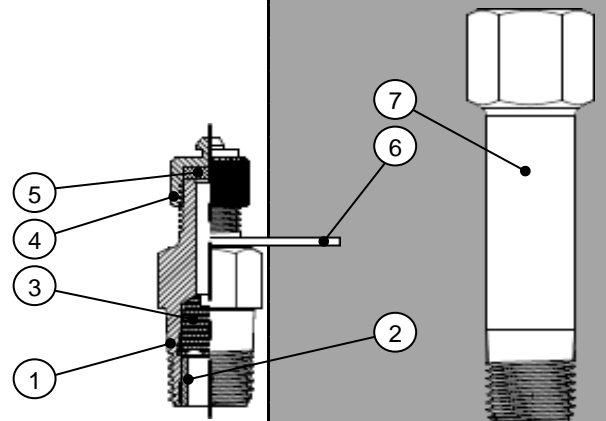


EAC

## PARTLIST

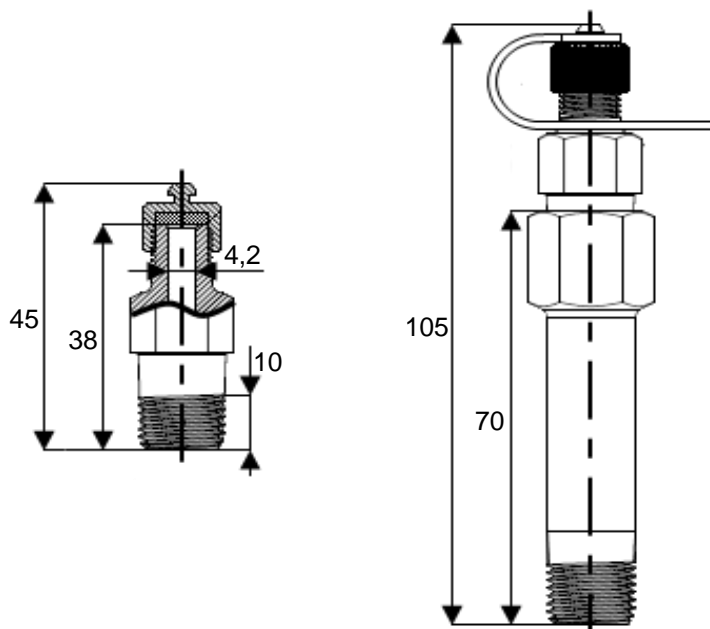
N.	Part	Material	Norm
1	Body	DZR brass	EN12164 CW602N
2	Gasket	EPDM Perox	-
3	Ring	DZR brass	EN12164 CW602N
4	Cap	Brass	EN12164 CW617N
5	Cap gasket	NBR	-
6	Tie	Polipropilene <sup>1</sup>	-
7	Extension	DZR brass	EN12164 CW602N

<sup>1</sup>Available in red or blue



## DIMENSIONS

Dimension in mm, weight 32g, weight with extension 85g



161104