

# 91F

DZR Brass Strainer



Via Circonvallazione, 10  
13018 Valduggia (VC), Italy  
Tel: +39 0163 47891  
Fax: +39 0163 47895  
www.vironline.com



DZR brass strainer with optional drain and test point  
Threaded F/F (ISO 7/1 Rp)  
Stainless Steel strainer (20 mesh)  
With optional threaded drain (3/4" ISO 228/1)  
Optional test point on the top

PN25 (max 25bar up to 110°C, max 20bar above)  
Free of CE marking (cat. according to Art. 4.3 Dir. 2014/68/EU)

Working conditions

- Suitable for: water, -10°C to +130°C  
below 0°C only for water with added antifreeze fluids  
over 100°C only for water with added anti-boiling fluids
- Not suitable for: gases group 1 & 2, liquids group 1 (Dir. 2014/68/EU)

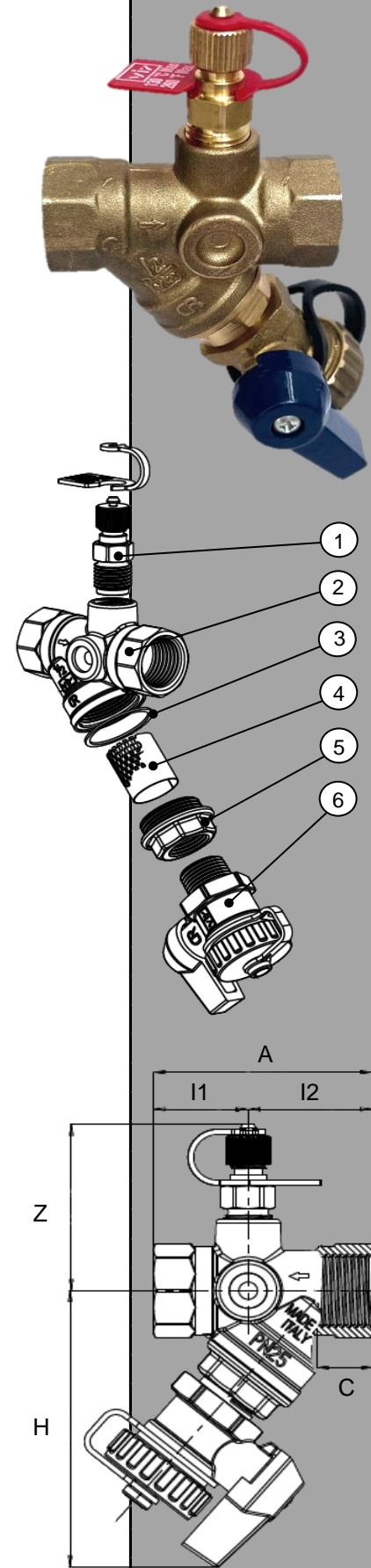
## PARTLIST

N.	Part	Material	Norm
1	Test point (opz)	DZR brass	EN 12164 CW602N
2	Body	DZR brass	EN 12165 CW602N
3	Cap gasket	PTFE	-
4	Strainer	Stainless steel	SS304
5	Bonnet	DZR brass	EN 12165 CW602N
6	Drain valve <sup>1</sup> (opz)	DZR brass	EN 12165 CW602N

<sup>1</sup>Drain Valve Fig. 89DV-241

## DIMENSIONS

DN	T	C	A	I1	I2	Z	H	Weight
		[mm]	[mm]	[mm]	[mm]	[mm]	[mm]	[g]
015	½"	15	59,8	25,1	34,7	47,3	78,6	320
020	¾"	16,3	79,5	37	42,5	50,1	83	413
025	1"	19,1	95,7	40,7	55	53,1	89,4	549



220224