

895

Cast Iron Strainer



Via Circonvallazione, 10
13018 Valduggia (VC), Italy
Tel: +39 0163 47891
Fax: +39 0163 47895
www.vironline.com



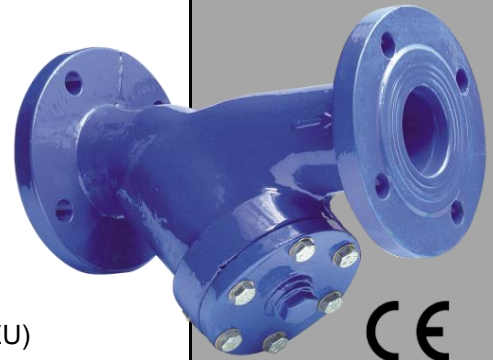
Cast iron strainer in GG25
Flanged PN16 according to EN1092-2 (ex DIN2533)
Lengths according to EN558-1 series 1 (ex DIN3202 F1)
Epoxy coating (min. 200µm)
Steel strainer in SS304 with round holes mesh
Hole diameter 1,5mm up to DN≤150, 2,0mm above
With threaded drain (from 1/2" to 1" depending on the sizes)
WRAS compliant

PN16

Free of CE marking for DN≤300 (cat. according to Art. 4.3 Dir. 2014/68/EU)

Working conditions

- Suitable for: water, -10°C to +110°C
below 0°C only for water with added antifreeze fluids
- Not suitable for: gases group 1 & 2, liquids group 1 (Dir. 2014/68/EU)



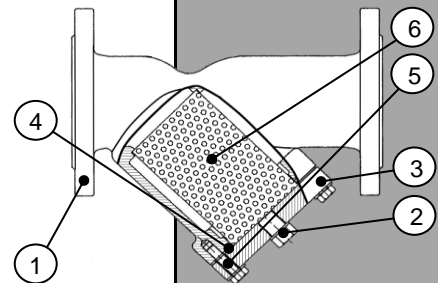
PARTLIST

N.	Part	Material	Norm
1	Body	Cast Iron ²	GG25 ³
2	Drain cap	Ductile iron ¹	GGG40
3	Bonnet	Cast Iron	GG25
4	Gasket	EPDM	-
5	Nuts	Carbon steel	-
6	Strainer	Stainless steel	SS304

¹Brass for DN≥450

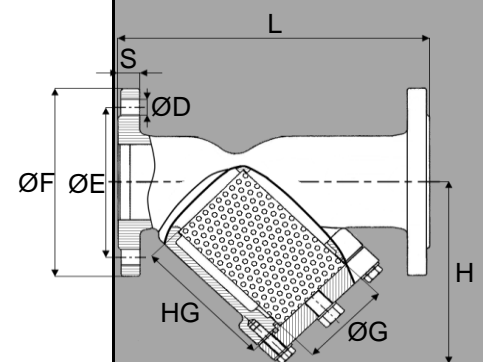
²Ductile Iron for DN≥450

³GGG40 for DN≥450



DIMENSIONS

DN	ØF [mm]	ØE [mm]	S [mm]	NxØD [mm]	L [mm]	H [mm]	HG [mm]	ØG [mm]	K _v [m ³ /h]	Wgt [kg]
032	140	100	18	4x18	180	111	90	37	20	6,2
040	150	110	18	4x18	200	128	100	44	33	7,5
050	165	125	18	4x18	230	140	120	54	54	8,4
065	185	145	18	4x18	290	161	130	68	95	12,7
080	200	160	20	8x18	310	187	150	88	140	15,5
100	220	180	20	8x18	350	215	175	106	201	21,8
125	250	210	22	8x18	400	249	200	133	340	30,5
150	285	240	22	8x23	480	292	235	158	526	43,9
200	340	295	24	12x23	600	361	290	208	870	78,0
250	405	355	30	12x27	730	429	345	258	1260	126,0
300	460	410	30	12x27	850	492	400	308	1735	165,0
350	520	470	36	16x27	980	595	492	342	2673	294,0
400	580	525	38	16x30	1100	673	552	412	3735	388,0
450	640	585	40	20x31	1200	777	617	464	4986	510,0
500	715	650	42	20x34	1250	825	683	514	6165	640,0
600	840	770	48	20x37	1450	944	779	614	8352	1072



231011