

# 806

## Cast Iron Ball Check Valve



Via Circonvallazione, 10  
13018 Valduggia (VC), Italy  
Tel: +39 0163 47891  
Fax: +39 0163 47895  
www.vironline.com



Cast iron ball check valve  
Threaded F/F (ISO 228/1) for DN15-DN50  
Flanged PN16 according to EN1092-2 (ex DIN2533) for DN65-DN300  
Lengths according to EN558-1 series 48 (ex DIN3202 F6) for DN65-DN300  
Minimum opening pressure 0,04bar  
TR CU 010 compliant

PN16  
Free of CE marking (cat. according to Art. 4.3 Dir. 2014/68/EU)

Working conditions

- Suitable for: water, 0°C to +80°C
- Not suitable for: gases group 1 & 2, liquids group 1 (Dir. 2014/68/UE)

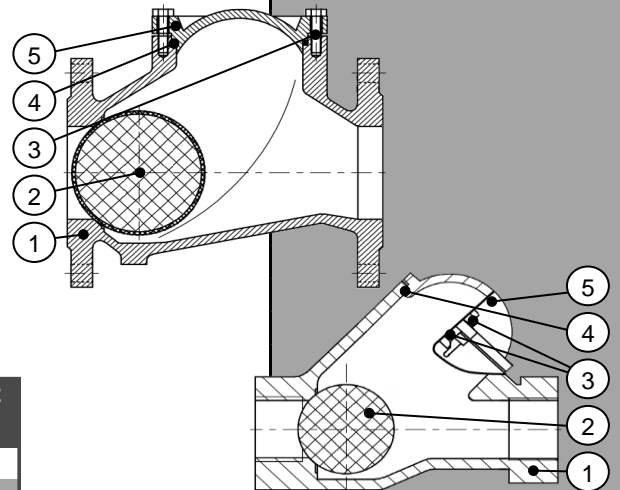


## PARTLIST

N.	Part	Material	Norm <sup>2</sup>
1	Body	Cast iron	GGG40 / GG25
2	Ball	NBR <sup>1</sup>	-
3	Bolt and nut	Steel	-
4	Gasket	NBR	-
5	Bonnet	Cast iron	GGG40 / GG25

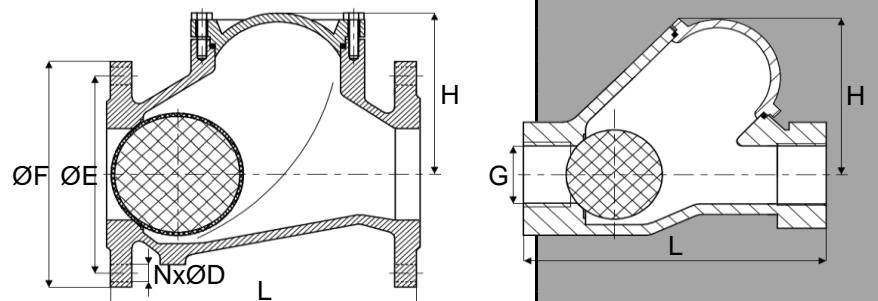
<sup>1</sup>NBR coated metal ball for DN≥65

<sup>2</sup>Ductile iron GGG40 for DN≤50



## DIMENSIONS

DN	G	ØF	ØE	NxØD	L	H	K <sub>v</sub>	Weight
		[mm]	[mm]	[mm]	[mm]	[mm]	[m <sup>3</sup> /h]	[kg]
025	1"	-	-	-	125	75	20	1,3
032	1¼"	-	-	-	132	75	28	1,7
040	1½"	-	-	-	145	85	52	2,0
050	2"	-	-	-	174	126	72	3,3
065	-	185	145	4x19	240	129	143	11,2
080	-	200	160	8x19	260	146	247	15,4
100	-	220	180	8x19	300	194	404	21,7
125	-	250	210	8x19	350	207	479	33,0
150	-	285	240	8x23	400	240	1010	45,3
200	-	340	295	12x23	500	322	2020	90,0
250	-	405	355	12x28	600	388	3193	163
300	-	460	410	12x28	700	458	4790	230



220307