

5028

Full Port Bronze Valve



Via Circonvallazione, 10
13018 Valduggia (VC), Italy
Tel: +39 0163 47891
Fax: +39 0163 47895
www.vironline.com

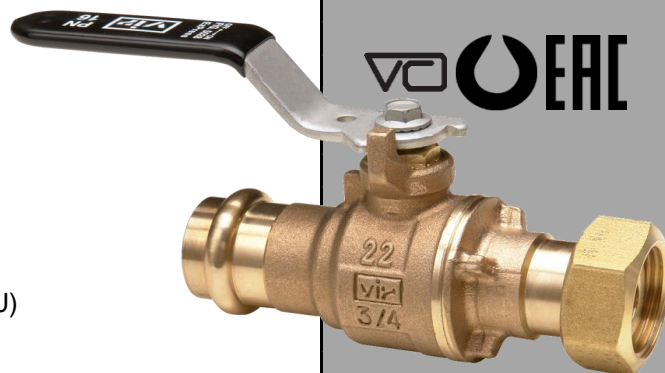


Full port bronze ball valve
Press-fit/Threaded F with tail piece
(V profile, European copper or steel tubing / ISO 228/1)
Design according to MSS-SP110
Air testing according to EN12266-1
Blow-out proof stem, adjustable packing
With handle or butterfly
VA and TR CU 010 compliant
Optional GDV compliant version available

PN16 (max 16bar up to 85°C, max 10bar at 120°C)
Free of CE marking (cat. according to Art. 4.3 Dir. 2014/68/EU)

Working conditions

- Suitable for: water, 0°C to +120°C
- Suitable for: air, -10°C to +120°C
- Not suitable for: gases and liquids group 1 (Dir. 2014/68/EU)

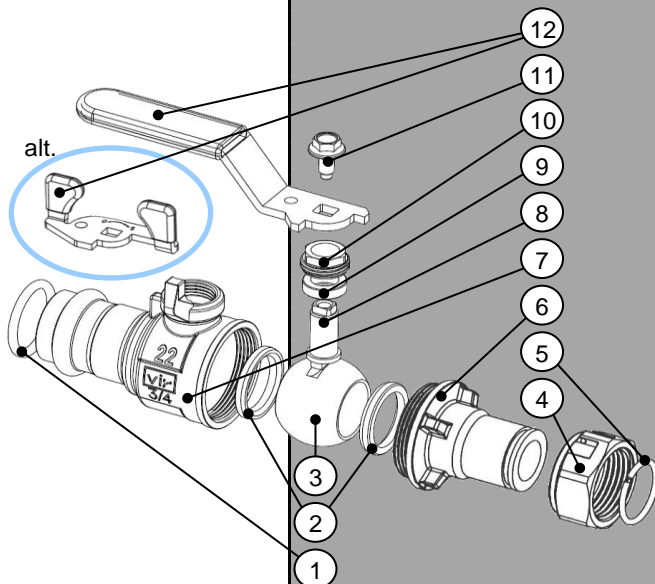


PARTLIST

N.	Part	Material	Norm
1	O-ring	EPDM Perox	-
2	Seat	PTFE	-
3	Ball	Chromium pl. brass ¹	EN12165 CW617N
4	Nut	Brass	EN12165 CW617N
5	Stop spring ring	Stainless steel	SS430
6	Fixed end	Bronze	EN1982 CB491K
7	Body	Bronze	EN1982 CB491K
8	Stem	DZR brass	EN12164 CW602N
9	Packing ring	PTFE	-
10	Packing nut	Brass	EN12164 CW617N
11	Screw	Geomet steel	EN10025 Fe42
12	Handle	Geomet steel ²	EN10111 Fe P11
12 _{alt}	Butterfly	Geomet steel ²	EN10111 Fe P11

¹PTFE coated ball for GDV version

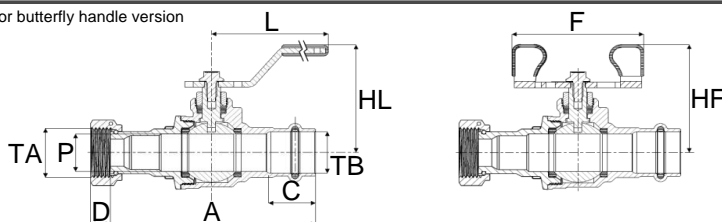
²With black PVC cover



DIMENSIONS

DN	TA	TB	A	C	D	P	HL	L	HF	F	K _v	Weight ¹
	[mm]	[mm]	[mm]	[mm]	[mm]	[mm]	[mm]	[mm]	[mm]	[mm]	[m ³ /h]	[g]
015	¾"	15,3	86	22	9,5	14	54,0	91,5	54,0	62	15,7	322 / 309
018	¾"	18,3	87	22	9,5	15	54,0	91,5	54,0	62	15,7	332 / 319
022	¾"	22,3	101	23	9,5	20	57,5	91,5	57,5	62	30,8	428 / 415

¹Weight for lever handle version / weight for butterfly handle version



200716