

4321

Ductile Iron Lug Butterfly Valve for Gas



Via Circonvallazione, 10
13018 Valduggia (VC), Italy
Tel: +39 0163 47891
Fax: +39 0163 47895
www.vironline.com



Ductile iron Lug butterfly valve for gas
Flanged PN16 according to EN1092-2 (ex DIN2533)
Lengths according to EN558-1 series 20 (ex DIN3202 K1)
Design according to EN593+A1
Testing according to EN12266-1 (leakage rate A)
Epoxy coating
With lockable lever
DVGW certified (DIN EN 13774)
TR CU 010 compliant

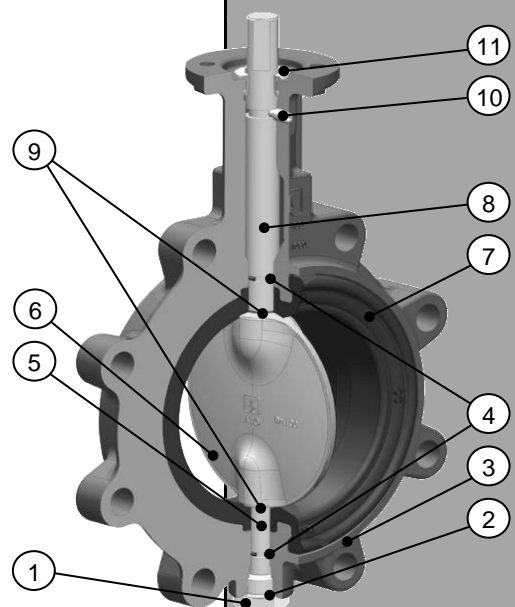
Shell rating: PN16
Working conditions: Max 10bar
CE marked (categorization according Dir. 2014/68/EU)

Working conditions

- Suitable for: gas, -20°C to +60°C
(suitable for EN 13774 PN10 applications)

PARTLIST

N.	Part	Material	Norm
1	Plug	Stainless steel	AISI 316
2	Plug gasket	Klingseril C-4400 + copper	-
3	Body	Ductile iron + epoxy	EN-GJS-400-15
4	O-ring	NBR	-
5	Lower stem	Stainless steel	AISI 420
6	Disc	Ductile iron + epoxy	EN-GJS-400-15
7	Seat	NBR	-
8	Upper stem	Stainless steel	AISI 420
9	Distance ring	Stainless steel	AISI 316
10	Retaining screw	Stainless steel	AISI 304
11	Bushing	Delrin	-
12	Lever	Carbon Steel	-

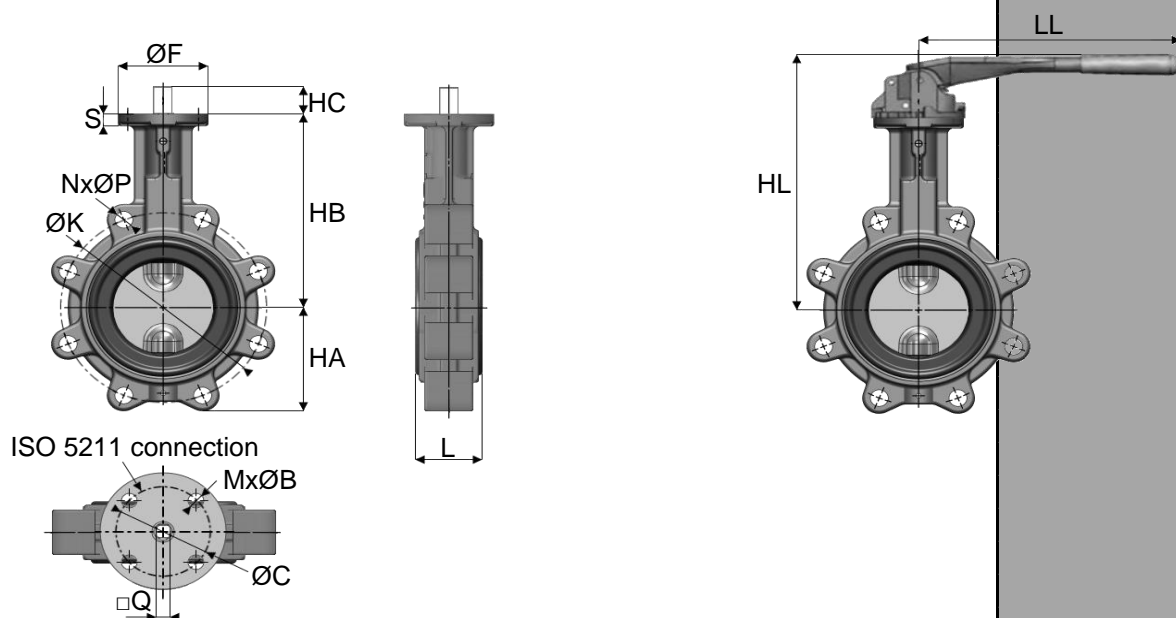


181211

DIMENSIONS

DN	HA [mm]	HB [mm]	HC [mm]	NxØP [mm]	ØK [mm]	L [mm]	HL [mm]	LL [mm]	□F [mm]	S [mm]	MxØB [mm]	ØC [mm]	ISO-□Q [mm]	Tor. [Nm]	Wgt [kg]
032	54	136	25	4xM16	100	33	211	270	70	8	4x7	70	F05-□14	10	3,5
040	54	136	25	4xM16	110	33	211	270	70	8	4x7	70	F05-□14	10	3,5
050	64	146	25	4xM16	125	43	221	270	70 ¹	8	4x7	70	F05-□14	14	4,2
065	72	154	25	4xM16	145	46	229	270	70 ¹	8	4x7	70	F05-□14	20	4,9
080	89	163	25	8xM16	160	46	238	270	70 ¹	8	4x7	70	F05-□14	30	6,0
100	105	173	25	8xM16	180	52	248	270	70 ¹	8	4x7	70	F05-□14	55	7,3
125	118	193	25	8xM16	210	56	268	270	75	10	4x9	70	F07-□17	85	10,5
150	128	205	25	8xM20	240	56	280	362	75	10	4x9	70	F07-□17	100	11,6
200	166	234	25	12xM20	295	60	309	362	75	14	4x9	70	F07-□17	150	16,7
250	202	270	30	12xM24	355	68	405	450	105	17	4x11	102	F10-□22	220	30,6
300	237	310	20	12xM24	410	78	445	750	105	17	4x11	125	F10-□22	380	44,3

¹Round flange for DN50-DN100



Via Circonvallazione, 10
13018 Valduggia (VC), Italy
Tel: +39 0163 47891
Fax: +39 0163 47895
www.vironline.com