

40

Brass Metal Sealed Gate Valve



Via Circonvallazione, 10
13018 Valduggia (VC), Italy
Tel: +39 0163 47891
Fax: +39 0163 47895
www.vironline.com



Brass gate valve
Threaded F/F (ISO 228/1)
Non rising blow-out proof stem
Adjustable packing
Metal seal
TR CU 010 compliant

PN16 for DN≤100
PN10 for DN≥125
Free of CE marking (cat. according to Art. 4.3 Dir. 2014/68/EU)

Working conditions

- Suitable for: water, 0°C to +80°C
- Not suitable for: gases group 1 & 2, liquids group 1 (Dir. 2014/68/UE)

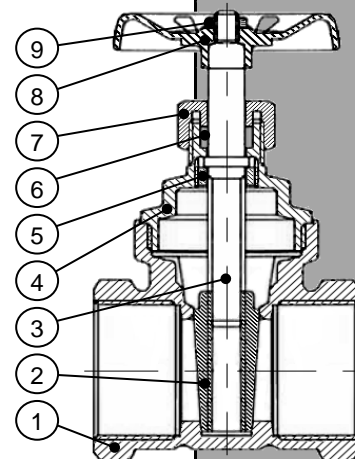
ERC



PARTLIST

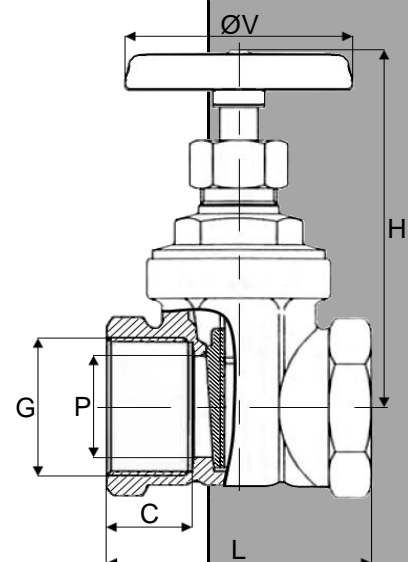
N.	Part	Material	Norm
1	Body	Brass	EN12165 CW617N ¹
2	Wedge	Brass	Delta C EN1982 CB754S
3	Stem	Brass	EN12164 CW617N
4	Bonnet	Brass	EN12165 CW617N
5	Ring	Brass	EN12165 CW617N
6	Packing ring	Fiber	-
7	Packing nut	Brass	EN12165 CW617N
8	Handwheel	Plastic coated steel	-
9	Nut	Zinc plated steel	-

¹Delta C EN1982 CB754S for DN≥65



DIMENSIONS

DN	G	L	C	P	H	ØV	Weight
		[mm]	[mm]	[mm]	[mm]	[mm]	[g]
010	3/8"	33	8	13	67	45	160
015	1/2"	38	9	15	68	45	180
020	3/4"	44	10	19	78	50	260
025	1"	48	11	24	91	55	380
032	1 1/4"	51	12	32	108	60	540
040	1 1/2"	58	13	37	125	70	750
050	2"	63	13	47	143	80	1210
065	2 1/2"	64	13	60	175	100	1660
080	3"	74	14	72	200	100	2380
100	4"	84	16	93	235	120	3900
125	5"	107	20	117	300	140	8300
150	6"	113	21	143	360	170	12300



170309