

40

Brass Metal Sealed Gate Valve



Via Circonvallazione, 10
13018 Valduggia (VC), Italy
Tel: +39 0163 47891
Fax: +39 0163 47895
www.vironline.com



Brass gate valve
Threaded F/F (ISO 228/1)
Non rising blow-out proof stem
Adjustable packing
Metal seal
WRAS and TR CU 010 compliant

PN16
Free of CE marking (cat. according to Art. 4.3 Dir. 2014/68/EU)

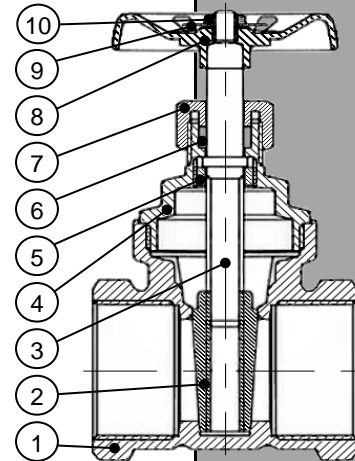
Working conditions

- Suitable for: water, 0°C to +80°C
- Not suitable for: gases group 1 & 2, liquids group 1 (Dir. 2014/68/EU)



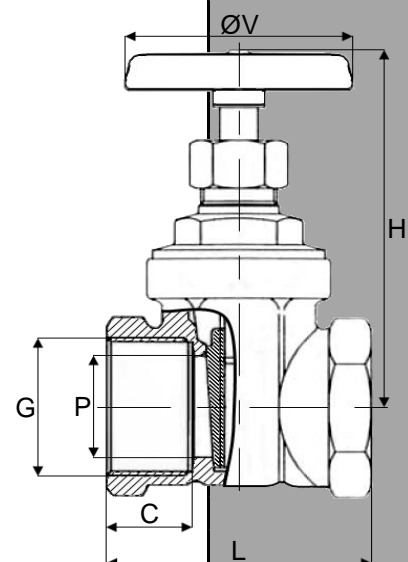
PARTLIST

N.	Part	Material	Norm
1	Body	Brass	CW617N
2	Wedge	Brass	CW617N
3	Stem	Brass	CW617N
4	Bonnet	Brass	CW617N
5	Ring	Brass	CW617N
6	Packing ring	Fiber	-
7	Packing nut	Brass	CW617N
8	Handwheel	Plastic coated steel	-
9	Disk	Aluminum	-
10	Nut	Zinc plated steel	-



DIMENSIONS

DN	G	L	C	P	H	ØV	Weight
		[mm]	[mm]	[mm]	[mm]	[mm]	[g]
015	½"	40	10	15	67	45	177
020	¾"	43	11	19	76	55	248
025	1"	45	12	25	86	60	359
032	1¼"	50	13	31	97	70	567
040	1½"	55	14	38	125	80	750
050	2"	62	15	47	136	90	1025
065	2½"	64	15	60	163	100	1760
080	3"	68	15	69	177	110	2080
100	4"	79	15	90	215	130	3730



231017