

# 39BV0

Full Port Stainless Steel Ball Valve



Via Circonvallazione, 10  
13018 Valduggia (VC), Italy  
Tel: +39 0163 47891  
Fax: +39 0163 47895  
www.vironline.com



Full port stainless steel ball valve  
Threaded F/F (ISO 7/1 Rp)  
Blow-out proof stem, adjustable packing  
Testing according to API598  
TR CU 010 compliant

PN64 for DN≤50 (Max 64bar up to 85°C, max 20bar above)  
PN50 for DN≥65 (Max 50bar up to 85°C, max 10bar above)  
Free of CE marking (cat. according to Art. 4.3 Dir. 2014/68/EU)

### Working conditions

- Suitable for: water, -20°C to +180°C  
below 0°C only for water with added antifreeze fluids
- Not suitable for: gases group 1 & 2, liquids group 1 (Dir. 2014/68/UE)

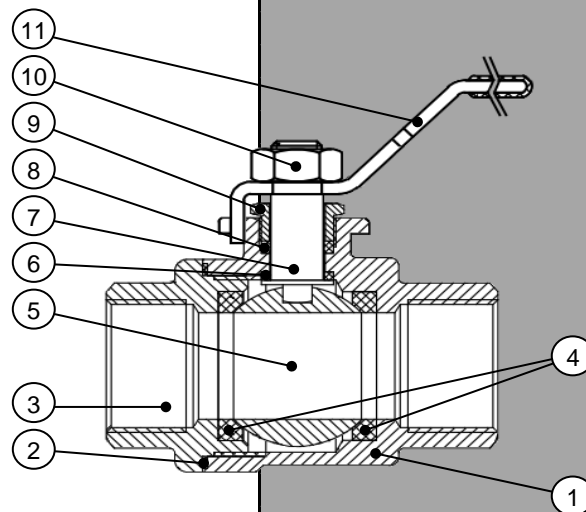


EAC

## PARTLIST

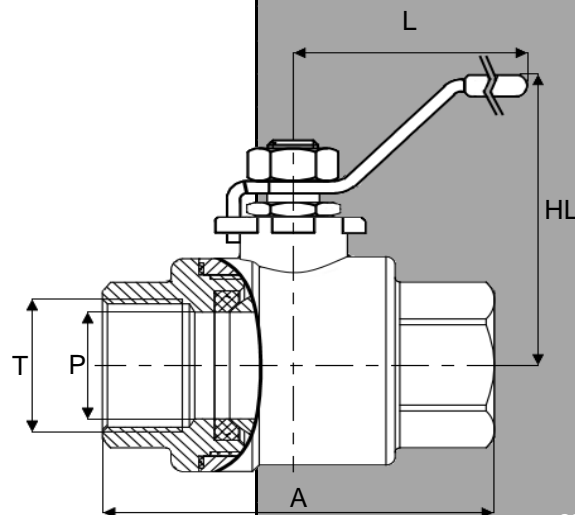
N.	Part	Material	Norm
1	Body	Stainless steel	SS316
2	Gasket	PTFE	-
3	Fixed End	Stainless steel	SS316
4	Seat	PTFE	-
5	Ball	Stainless steel	SS316
6	Antifriction ring	PTFE	-
7	Stem	Stainless steel	SS316
8	Packing ring	PTFE	-
9	Packing nut	Stainless steel	SS201
10	Nut	Stainless steel	SS201
11	Handle	Stainless steel <sup>1</sup>	SS201

<sup>1</sup>With blue PVC cover



## DIMENSIONS

DN	T	A	P	HL	L	K <sub>v</sub>	Weight
		[mm]	[mm]	[mm]	[mm]	[m <sup>3</sup> /h]	[g]
008	1/8"	52	12,5	48	92	5,6	217
010	1/4"	52	12,5	48	92	7,8	205
015	1/2"	54	15,0	60	104	20,0	247
020	3/4"	65	20,0	64	119	38,0	370
025	1"	72	25,0	77	123	72,0	565
032	1 1/4"	82	32,0	78	144	93,0	796
040	1 1/2"	95	40,0	90	158	145,0	1220
050	2"	109	50,0	102	168	230,0	1650
065	2 1/2"	143	65,0	128	205	406,0	3640
080	3"	162	80,0	135	229	576,0	5300
100	4"	213	100,0	160	289	940,0	9700



220614