

380LN

Full Port Long Neck Bronze Ball Valve



Via Circonvallazione, 10
13018 Valduggia (VC), Italy
Tel: +39 0163 47891
Fax: +39 0163 47895
www.vironline.com

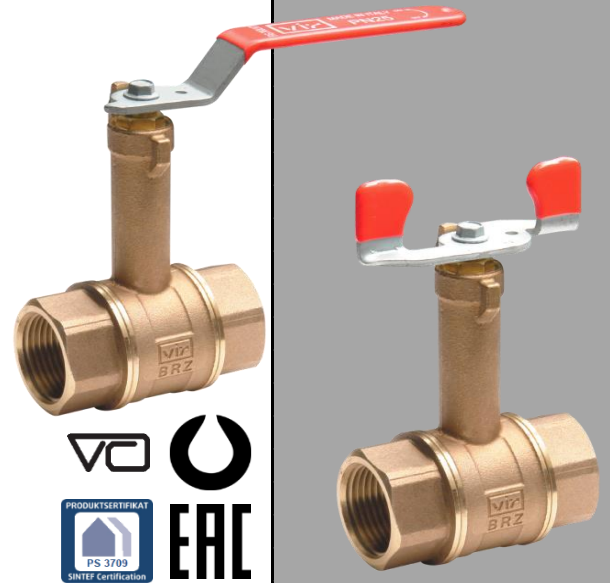


Full port long neck bronze ball valve
Threaded F/F (ISO 228/1)
Air testing according EN12266-1
Adjustable packing
With handle or butterfly
VA and TR CU 010 compliant
Optional GDV and SINTEF compliant version available

PN25 (max 25bar up to 110°C, max 16bar above)
PN16 when used with air
Free of CE marking (cat. according to Art. 4.3 Dir. 2014/68/EU)

Working conditions

- Suitable for: water, 0°C to +150°C
- Suitable for: air, -10°C to +150°C
- Not suitable for: gases and liquids group 1 (Dir. 2014/68/EU)

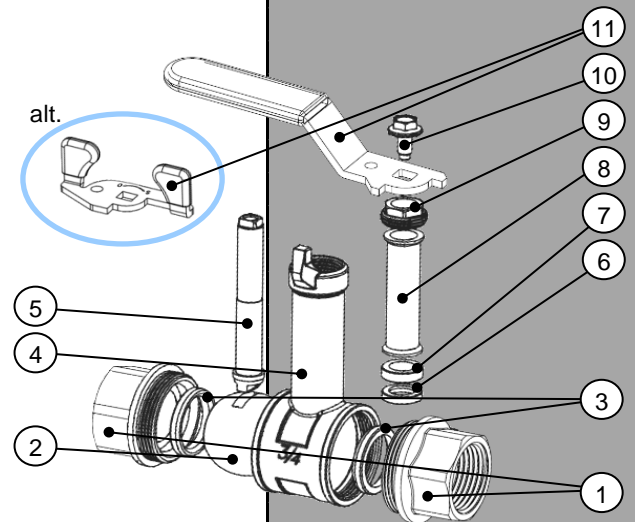


PARTLIST

N.	Part	Material	Norm
1	Fixed End	Bronze	EN1982 CB491K
2	Ball	Chromium pl. brass ¹	EN12165 CW617N
3	Seat	PTFE	-
4	Body	Bronze	EN1982 CB491K
5	Stem	Brass	EN12164 CW617N
6	Antifriction ring	DZR Brass	EN12164 CW602N
7	Packing ring	PTFE	-
8	Packing nut ext.	Brass	EN12164 CW617N
9	Packing nut	Brass	EN12164 CW617N
10	Screw	Geomet steel	EN10025 Fe42
11	Handle	Geomet steel ²	EN10025 Fe P11
11 _{alt}	Butterfly	Geomet steel ²	EN10025 Fe P11

¹PTFE coated ball for GDV version

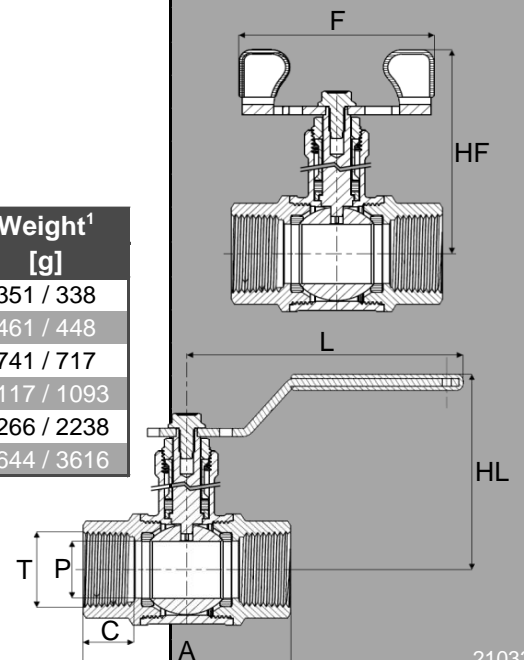
²With red PVC cover



DIMENSIONS

DN	T	A	C	P	HL	L	HF	F	K _v	Weight ¹
		[mm]	[mm]	[mm]	[mm]	[mm]	[mm]	[mm]	[m ³ /h]	[g]
015	½"	57	15,5	15	98,2	91,5	98	62	15,7	351 / 338
020	¾"	69	16,5	20	101,7	91,5	102	62	30,8	461 / 448
025	1"	77	19,5	25	110,6	126,5	115	83	49,3	741 / 717
032	1¼"	90	21,5	32	116,0	126,5	120	83	79,0	1117 / 1093
040	1½"	103	21,5	40	132,3	141,5	142	110	125,3	2266 / 2238
050	2"	123	25,0	50	140,0	141,5	150	110	224,2	3644 / 3616

¹Weight for lever handle version / weight for butterfly handle version



210331