

340GS series

Full Port Brass Ball Valve with Sealable Square Top



Via Circonvallazione, 10
13018 Valduggia (VC), Italy
Tel: +39 0163 47891
Fax: +39 0163 47895
www.vironline.com



Full port brass ball valve

Available in the following versions:

- Fig. 340GS, threaded F/F (ISO 7/1 Rc)
- Fig. 343GS, threaded M/F (ISO 7/1 R / ISO 7/1 Rc)

Air testing according to EN12266-1

Blow-out proof stem

With 20mm sealable square top

TR CU 010 compliant

PN25 (Max 25bar up to 95°, max 20bar at 110°C)

Free of CE marking (cat. according to Art. 4.3 Dir. 2014/68/EU)

Working conditions

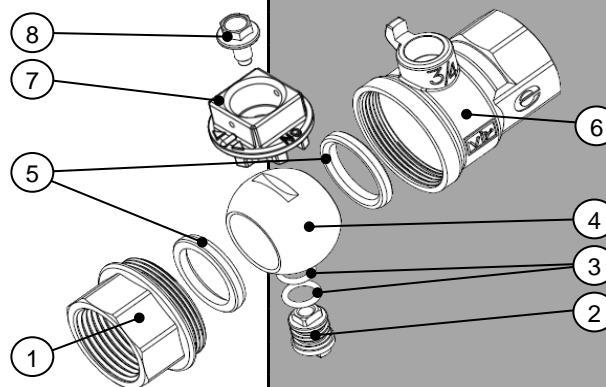
- Suitable for: water, 0°C to +110°C
- Not suitable for: gases group 1 & 2, liquids group 1 (Dir. 2014/68/EU)



EAC

PARTLIST

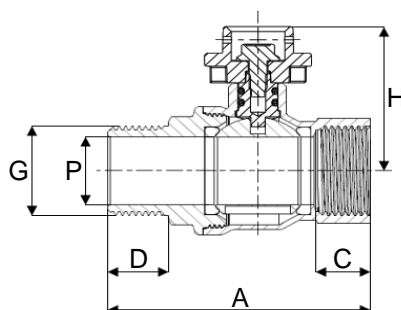
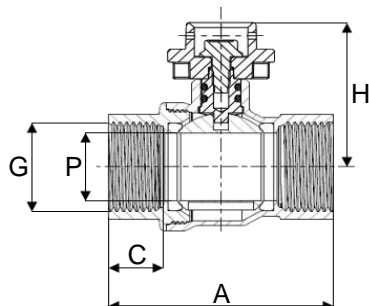
N.	Part	Material	Norm
1	Fixed end	Brass	EN12165 CW617N
2	Stem	Brass	EN12164 CW617N
3	O-ring	FKM	-
4	Ball	Chromium pl. Brass	EN12165 CW617N
5	Seat	PTFE	-
6	Body	Brass	EN12165 CW617N
7	Square top	Brass	EN12165 CW617N
8	Screw	Zinc plated steel	EN10025 Fe42



DIMENSIONS

DN	G	A ¹ [mm]	C [mm]	D [mm]	P [mm]	H [mm]	K _v [m ³ /h]	Weight ¹ [g]
015	½"	54 / 64	14,0	15,5	15	38	15,7	190 / 210
020	¾"	62 / 72	15,0	16,5	20	41	30,8	270 / 290
025	1"	73 / 82	18,0	19,5	25	50	49,3	425 / 455
032	1¼"	83 / 96	18,5	21,5	32	55	79,0	595 / 635
040	1½"	97 / 109	19,5	21,5	40	69	125,3	1015 / 1095
050	2"	110 / 126	20,5	25,0	50	77	224,2	1475 / 1585

¹340GF version / 343GF version



171012