

# 340DR

Full Port DZR Brass Ball Valve



Via Circonvallazione, 10  
13018 Valduggia (VC), Italy  
Tel: +39 0163 47891  
Fax: +39 0163 47895  
www.vironline.com



Full port DZR brass ball valve  
Threaded F/F (ISO 228/1)  
Design according to MSS-SP110  
Air testing according to EN12266-1  
Blow-out proof stem  
Adjustable packing  
STF, VA and TR CU 010 compliant

PN40 (max 40bar up to 95°C, max 25bar at 150°C)  
Free of CE marking for DN≤32 (cat. according to Art. 4.3 Dir. 2014/68/EU)

Working conditions

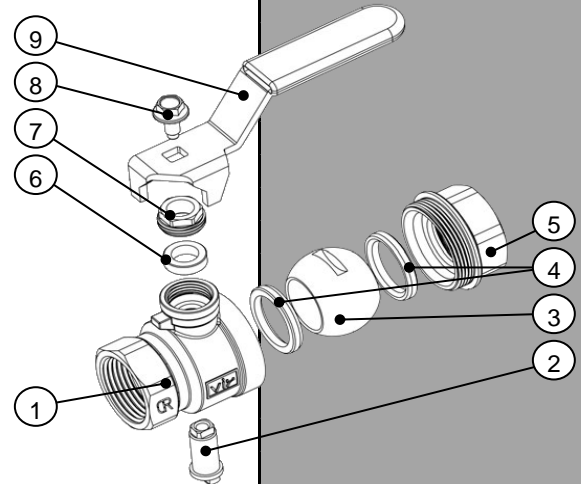
- Suitable for: water, 0°C to +150°C
- Suitable for: air, -10°C to +150°C
- Not suitable for: gases and liquids group 1 (Dir. 2014/68/EU)



## PARTLIST

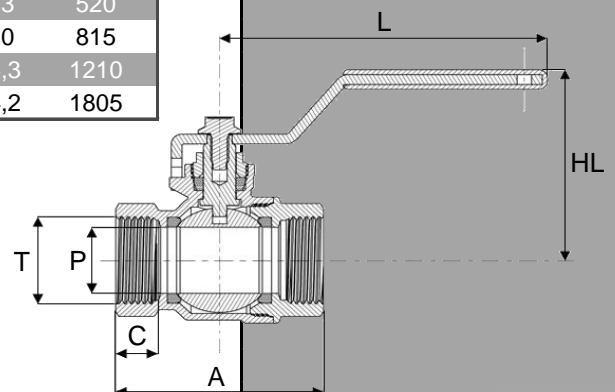
N.	Part	Material	Norm
1	Body	DZR brass	EN12165 CW602N
2	Stem	DZR brass	EN12164 CW602N
3	Ball	Chr. pl. DZR brass	EN12165 CW602N
4	Seat	PTFE	-
5	Fixed end	DZR brass	EN12165 CW602N
6	Packing ring	PTFE	-
7	Packing nut	Brass	EN12164 CW617N
8	Screw	Geomet steel	EN10025 Fe42
9	Handle	Geomet steel <sup>1</sup>	EN10111 Fe P11

<sup>1</sup>With white PVC cover



## DIMENSIONS

DN	T	A	C	P	HL	L	HF	F	K <sub>v</sub>	Weight
		[mm]	[mm]	[mm]	[mm]	[mm]	[mm]	[mm]	[m <sup>3</sup> /h]	[g]
010	3/8"	39	9	10	41	81,0	32	44	5,8	120
015	1/2"	49	12	15	53	91,5	39	55	15,7	220
020	3/4"	58	12	20	57	91,5	43	55	30,8	305
025	1"	67	15	25	65	126,5	50	83	49,3	520
032	1 1/4"	81	16	32	71	126,5	56	83	79,0	815
040	1 1/2"	94	17	40	79	141,5	65	108	125,3	1210
050	2"	110	19	50	87	141,5	73	108	224,2	1805



201016