

293LK

Brass Bib Tap with Lockshield and Key



Via Circonvallazione, 10
13018 Valduggia (VC), Italy
Tel: +39 0163 47891
Fax: +39 0163 47895
www.vironline.com



Brass bib tap
Threaded M (ISO 228/1) with hose union
With lockshield and key
Design according to BS1010-2
WRAS certified

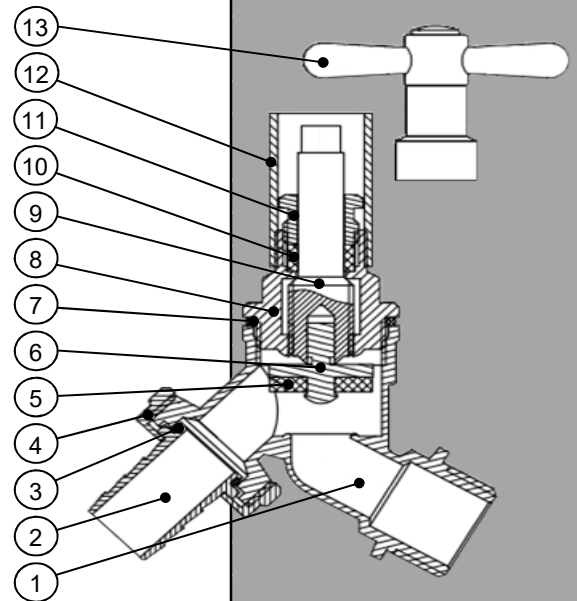
PN16
Free of CE marking (cat. according to Art. 4.3 Dir. 2014/68/EU)

Working conditions

- Suitable for: water, 0°C to +100°C
- Not suitable for: gases group 1 & 2, liquids group 1 (Dir. 2014/68/EU)

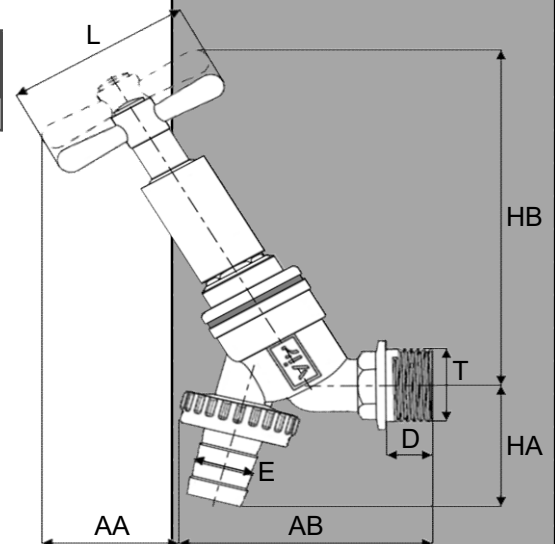
PARTLIST

N.	Part	Material	Norm
1	Body	Brass	CW617N
2	Hose union	Brass	CW617N
3	O-ring	EPDM	-
4	Ring	Brass	CW617N
5	Seal	EPDM	-
6	Disc	Brass	CW617N
7	Gasket	PTFE	-
8	Bonnet	Brass	CW617N
9	Stem	Brass	CW617N
10	Packing rink	PTFE	-
11	Packing nut	Brass	CW617N
12	Lockshield	Brass	CW617N
13	Key	Brass	CW617N



DIMENSIONS

DN	T	D	E	AA	AB	HA	HB	L	Weight
		[mm]	[mm]	[mm]	[mm]	[mm]	[mm]	[mm]	[g]
015	1/2"	12	15,5	28	65	33	95	50	255



260226