

1520

Cast Iron Oblique Disc Gate Valve



Via Circonvallazione, 10
13018 Valduggia (VC), Italy
Tel: +39 0163 47891
Fax: +39 0163 47895
www.vironline.com



Cast iron gate valve
Available with ends:

- flanged according to EN1092-2 PN16 (ex DIN2533)
- threaded F/F according to ISO 228/1 (up to DN≤50)

Lengths according to EN558-1 series 14 (ex DIN3202 F4)

Cast iron oblique disc with EPDM coating
TR CU 010 compliant

PN16

Free of CE marking (cat. according to Art. 4.3 Dir. 2014/68/EU)

Working conditions

- Suitable for: water, -10°C to +110°C
- Not suitable for: gases group 1 & 2, liquids group 1 (Dir. 2014/68/UE)

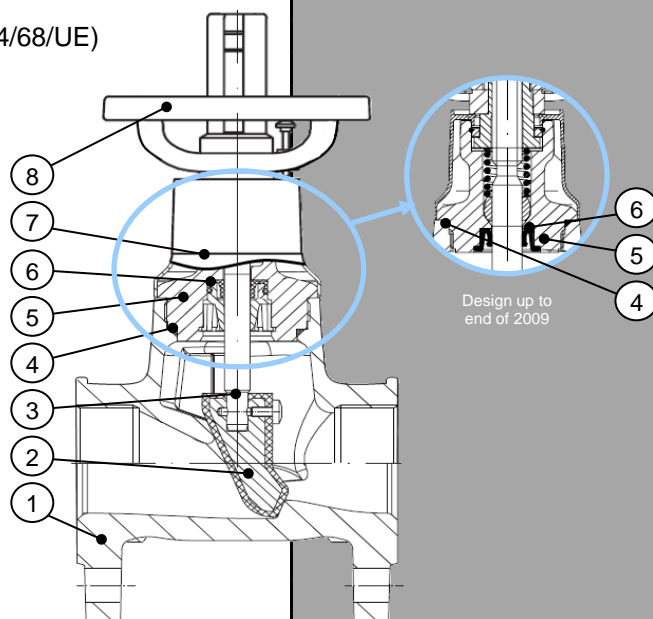


EAC

PARTLIST

N.	Part	Material	Norm
1	Body	Cast iron	EN-GJL-250
2	Disc	Cast iron + EPDM	EN-GJL-250
3	Stem	Steel	X20Cr13
4	Stem gasket	EPDM 70	-
5	O-ring gasket	EPDM 70	-
6	Bonnet	Cast iron	EN-GJL-250
7	Cover cap	Polyamide 6 ¹	-
8	Handwheel	Polyamide 6.6	-

¹Epoxy coated steel for DN125 and DN150, epoxy coated cast iron for DN200

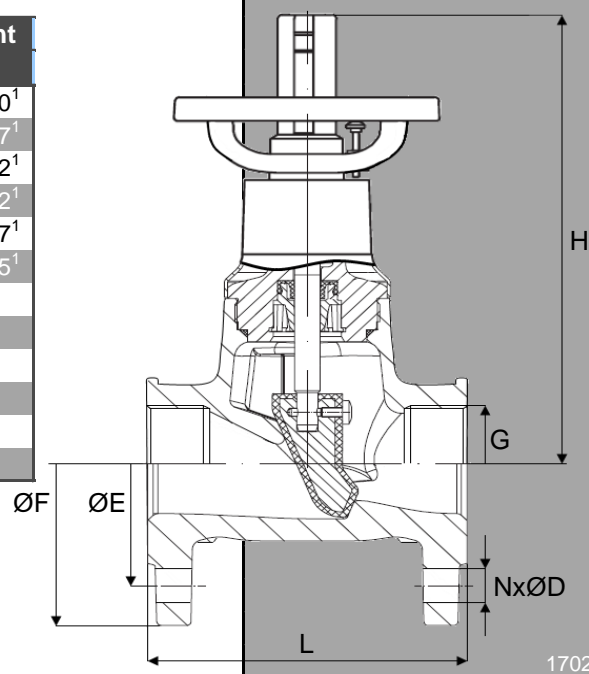


Design up to end of 2009

DIMENSIONS

DN	G	ØF (mm)	ØE (mm)	NxØD (mm)	L (mm)	H (mm)	K _v (m ³ /h)	Weight (kg)
015	½"	95	65	4x14	115	190	15,3	2,1 / 3,0 ¹
020	¾"	105	75	4x14	120	190	21,6	2,7 / 3,7 ¹
025	1"	115	85	4x14	125	190	31,1	3,0 / 4,2 ¹
032	1¼"	140	100	4x18	130	190	50,0	3,0 / 5,2 ¹
040	1½"	150	110	4x18	140	230	62,0	5,2 / 7,7 ¹
050	2"	165	125	4x18	150	230	91,0	6,6 / 9,5 ¹
065	-	185	145	4x18	170	260	136,0	12,1
080	-	200	160	8x18	180	310	250,0	16,0
100	-	220	180	8x18	190	320	383,0	24,5
125	-	250	210	8x18	200	390	533,0	29,6
150	-	285	240	8x22	210	470	833,0	40,0
200	-	340	295	12x22	230	630	1518,0	74,0

¹Weight for threaded ends version / weight for flanged ends version



170206