

1510

Cast Iron Globe Valve



Via Circonvallazione, 10
13018 Valduggia (VC), Italy
Tel: +39 0163 47891
Fax: +39 0163 47895
www.vironline.com



Cast iron globe valve
Flanged PN16 according to EN1092-2 (ex DIN2533)
Testing to EN12266-1, lengths to EN558-1 series 1 (ex DIN3202 F1)
TR CU 010 compliant

PN16

-10°C-120°C	120°C-200°C	200°C-250°C	250°C-300°C
Max 16,0bar	Max 12,8bar	Max 11,2bar	Max 9,6bar

Free of CE marking for DN≤25 (cat. according to Art. 4.3 Dir. 2014/68/EU)

Working conditions

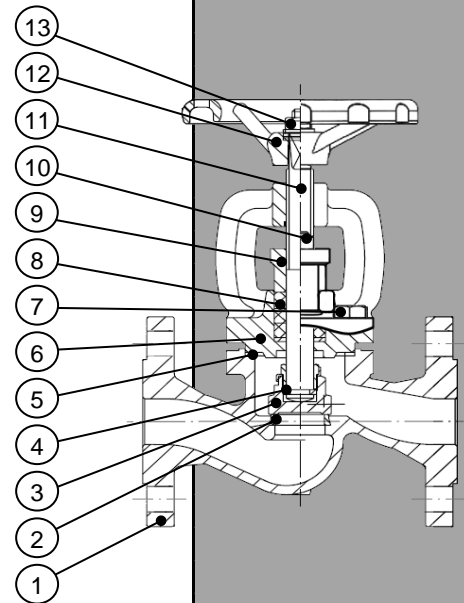
- Suitable for: water, -10°C to +300°C



PARTLIST

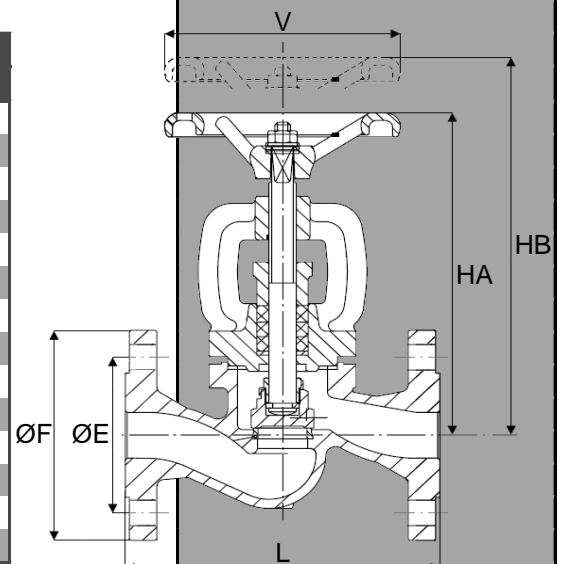
N.	Part	Material	Norm
1	Body	Cast iron	EN-GJL-250
2	Seat	Stainless steel	X12Cr13
3	Disc ¹	Stainless steel	X20Cr13
4	Washer	Stainless steel	X6CrNiTi18-10
5	Gasket	Graphite + St. Steel	-
6	Bonnet	Cast iron	EN-GJL-250
7	Screw	Carbon steel	8.8
8	Packing	Graphite	-
9	Gland	Cast iron	EN-GJL-250
10	Nut / bolt	Zinc plated steel	-
11	Stem	Stainless steel	X20Cr13
12	Handwheel	Ductile iron	EN-GJS500-7
13	Nut / washer	Zinc plated steel	X20Cr13

¹In two screwed pieces with stainless steel X6CrNiTi18-10 washer



DIMENSIONS

DN	ØF [mm]	ØE [mm]	NxØD [mm]	L [mm]	HA [mm]	HB [mm]	V [mm]	K _v [m ³ /h]	Weight [kg]
015	95	65	4x14	130	167	172	100	5,9	3,3
020	105	75	4x14	150	167	173	100	7,4	3,9
025	115	85	4x14	160	175	182	120	13,0	5,0
032	140	100	4x19	180	186	200	120	18,0	6,6
040	150	110	4x19	200	235	255	160	30,0	9,4
050	165	125	4x19	230	248	273	160	41,0	12,0
065	185	145	4x19	290	260	295	180	79,0	17,0
080	200	160	8x19	310	291	332	200	115	22,7
100	220	180	8x19	350	338	369	250	181	35,8
125	250	210	8x19	400	384	432	250	225	52,8
150	285	240	8x23	480	429	483	320	364	74,2
200	340	295	12x23	600	529	606	360	690	126
250	405	355	12x28	730	638	758	360	1010	200
300	460	410	12x28	850	710	830	500	1460	315



230607