

# 110

Bronze Metal Sealed Gate Valve



Via Circonvallazione, 10  
13018 Valduggia (VC), Italy  
Tel: +39 0163 47891  
Fax: +39 0163 47895  
www.vironline.com



Bronze gate valve  
Threaded F/F (ISO 7/1 Rp)  
EN12288/B (ex BS5154/B) compliant  
Air testing according to EN12266-1  
Non rising blow-out proof stem  
Adjustable packing  
Metal seal  
WRAS and TR CU 010 compliant

PN25 (max 25bar up to 110°C, max 13bar at 170°C)  
Free of CE marking for DN≤40 (cat. according to Art. 4.3 Dir. 2014/68/EU)

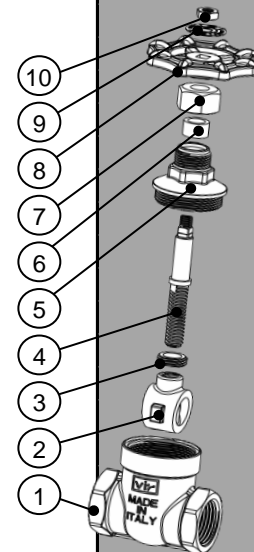
Working conditions

- Suitable for: water, -10°C to +170°C  
below 0°C only for water with added antifreeze fluids
- Not suitable for: gases group 1 & 2, liquids group 1 (Dir. 2014/68/EU)



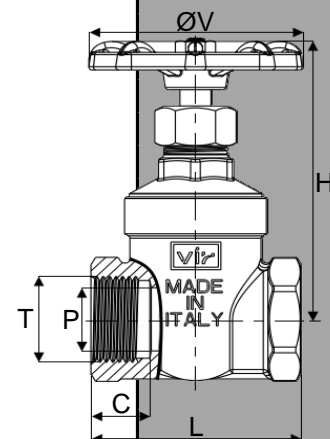
## PARTLIST

N.	Part	Material	Norm
1	Body	Bronze	EN1982 CB491K
2	Wedge	Bronze	EN1982 CB491K
3	Ring	Brass	EN12164 CW617N
4	Stem	Bronze	EN12164 CW602N
5	Bonnet	Bronze	EN1982 CB491K
6	Packing ring	Graphite	-
7	Packing nut	Brass	EN12164 CW617N
8	Handwheel	Aluminum	-
9	Disc	Aluminum	-
10	Nut	Steel	EN10025 Fe42



## DIMENSIONS

DN	T	L	C	P	H	ØV	K <sub>v</sub>	Weight
		[mm]	[mm]	[mm]	[mm]	[mm]	[m <sup>3</sup> /h]	[g]
015	½"	54	15,5	13	70	60	9	290
020	¾"	59	16,5	19	84	60	20	450
025	1"	68	19,5	25	104	70	35	700
032	1¼"	73	21,5	32	121	85	62	1000
040	1½"	79	21,5	38	138	85	104	1390
050	2"	90	26,0	51	168	100	182	2120



201127a