

325

Two Way Brass Ball Valve With Connection for Actuator



Via Circonvallazione, 10
13018 Valduggia (VC), Italy
Tel: +39 0163 47891
Fax: +39 0163 47895
www.vironline.com



Two way brass ball valve with connection for actuator
Threaded F/M with union ends (ISO228/1) up to DN≤32
Threaded F/F (ISO228/1) for DN40 and DN50
Actuator connection according to ISO 5211 (F03/F05)
Air testing according to EN12266-1
TR CU 010 compliant

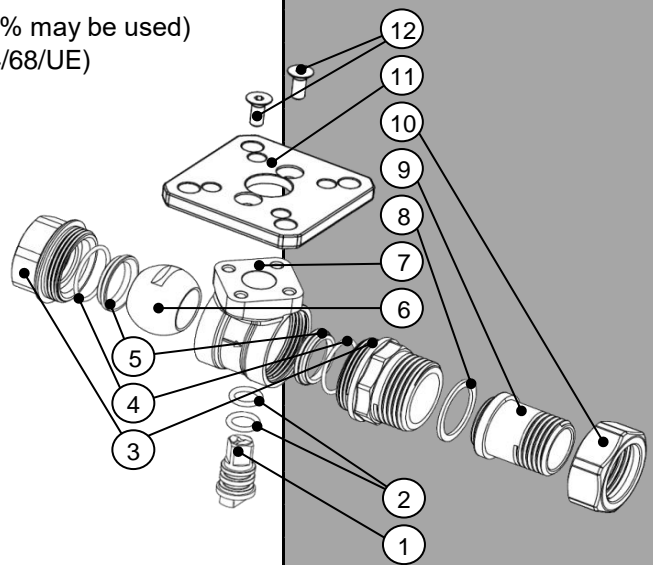
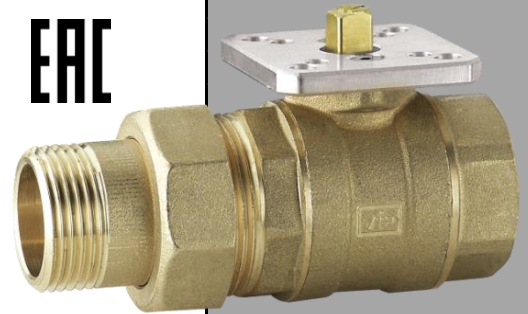
Shell rating: PN40

Working conditions: Max 16Bar, Max differential pressure 3,5bar
Free of CE marking (cat. according to Art. 4.3 Dir. 2014/68/EU)

Working conditions:

- Suitable for: water, -15°C to +110°C
below 0°C only for water with added antifreeze fluids
over 100°C only for water with added anti-boiling fluids
(Glycolic-Ethylene and glycolic-propylene mix. >20% and ≤50% may be used)
- Not suitable for: gases group 1 & 2, liquids group 1 (Dir. 2014/68/UE)

ERC



PARTLIST

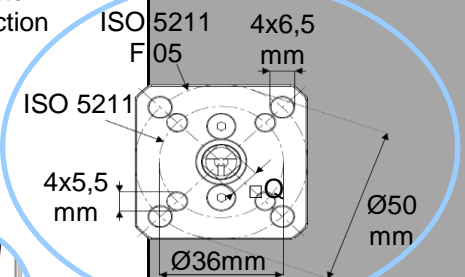
N.	Part	Material	Norm
1	Stem	Brass	EN12164 CW617N
2	Stem O-ring	EPDM Perox	-
3	Fixed end ²	Brass	EN12165 CW617N
4	Seat O-ring ¹	EPDM Perox	-
5	Seat	PTFE	-
6	Ball	Chromium pl. Brass	EN12164 CW617N
7	Body	Brass	EN12165 CW617N
8	Gasket ³	PTFE	-
9	Union end ³	Brass	EN12165 CW617N
10	Union nut ³	Brass	EN12165 CW617N
11	Actuator flange	Aluminum	UNI EN 1706
12	Screw	Zinc plated steel	UNI 5933-67

¹DN15 excluded

²Female threaded for DN40 and DN50

³Up to DN32 (included) only

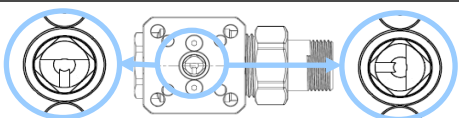
Actuator connection



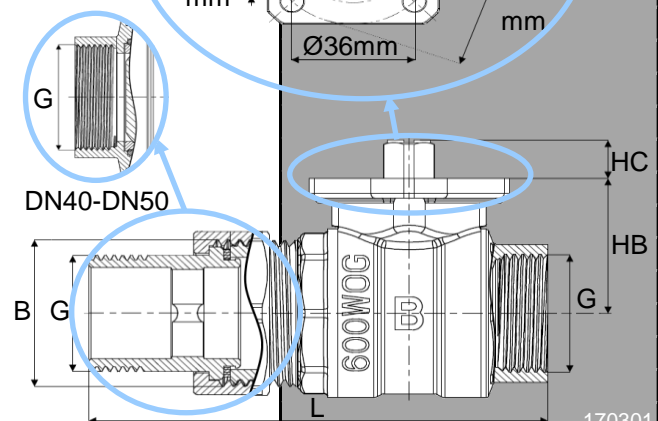
DIMENSIONS

DN	G	B	L [mm]	HB [mm]	HC [mm]	ISO-□Q [mm]	Wgt [g]
015	½"	¾"	84,8	27,6	10	F03/F05 - □9	384
020	¾"	1"	96,2	30,5	10	F03/F05 - □9	536
025	1"	1¼"	114,3	34,3	10	F03/F05 - □9	804
032	1¼"	1½"	131,4	39,8	10	F03/F05 - □9	1202
040	1½"	-	96,0	52,8	11	F03/F05 - □11	1297
050	2"	-	113,0	60,5	11	F03/F05 - □11	2098

Opened valve:
notch
perpendicular
to flow



Closed valve:
notch
parallel
to flow



170301