

# 9TB1

Straight DZR Brass Automatic Thermostatic Balancing Valve



Via Circonvallazione, 10  
13018 Valduggia (VC), Italy  
Tel: +39 0163 47891  
Fax: +39 0163 47895  
www.vironline.com



DZR brass automatic thermostatic balancing valve  
With threaded union F/F ends (ISO 7/1 Rp)  
Wide range of setting temperature available

PN16 Valve housing Rating

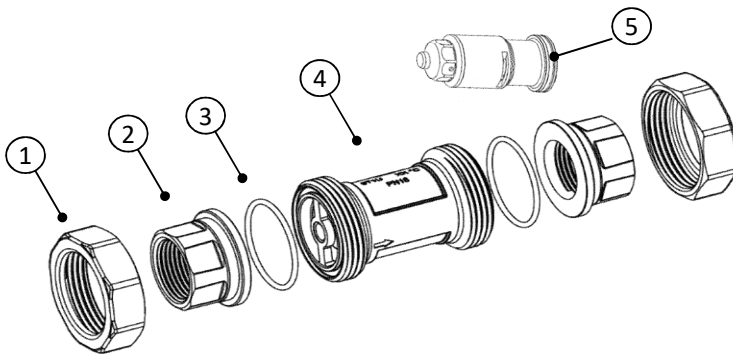
Working conditions

- Suitable for: water, 0°C to +90°C



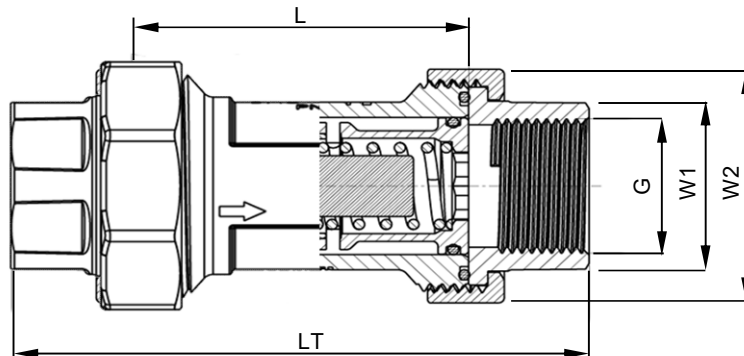
## PARTLIST

N.	Part	Material	Norm
1	Union nut	Brass CW617N	EN12165
2	Union	DZR Brass CW602N	EN12165
3	Union O-ring	EPDM Perox	-
4	Body	Low lead DZR Brass CW511L	EN 12165
5	Inner cartridge	Low lead Brass + Stainless steel	CW509L + AISI 301



## DIMENSIONS

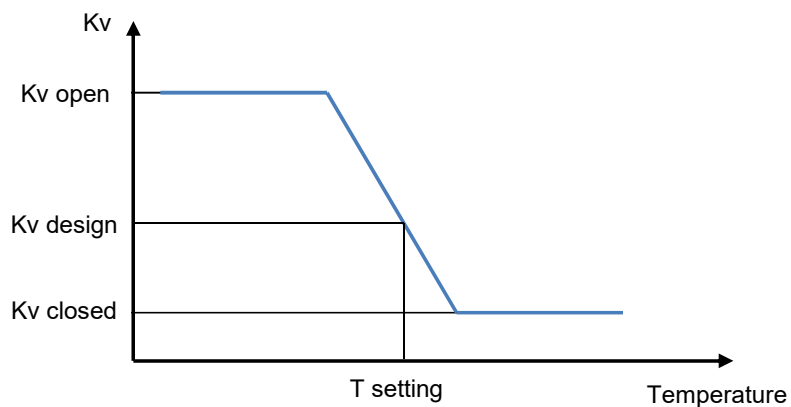
DN	G	W1 [mm]	W2 [mm]	L [mm]	L2 [mm]	Weight [g]
015	1/2"	25	37	57	97,0	398
020	3/4"	31	46	62	105,5	585
025	1"	38	52	63	113,4	788



250320

## VALVE REGULATION DATA

Valves are available in different ranges of setting temperature. The Kv value of the valve change with the temperature variation according the following graph and table:



DN	K <sub>v</sub> open [m <sup>3</sup> /h]	K <sub>v</sub> design [m <sup>3</sup> /h]	K <sub>v</sub> closed <sup>1</sup> [m <sup>3</sup> /h]
015	1,30	0,50	0,11
020	1,70	0,70	0,16
025	3,30	1,30	0,24

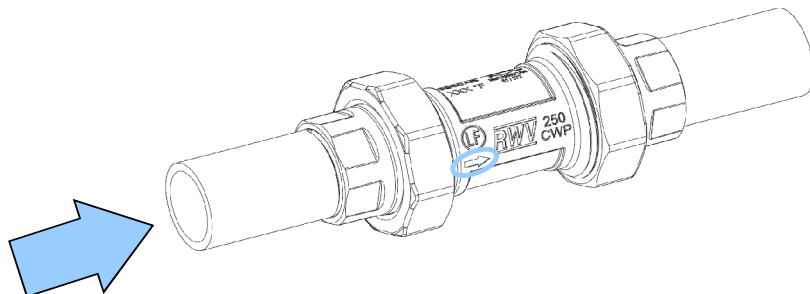
<sup>1</sup>Valve never fully close, there will be always a bypass flow to avoid pump deadheading and guarantee thermal actuator correct sensitivity

T setting: 46, 49, 54, 60, 66 °C (laser marked on the body)

## INSTALLATION

Install the valve so that the flow direction matches the direction of the arrow indicated on the body of the valve. Perform correct flushing of the plant before installing the cartridge.

In order to obtain the best correct flowrate regulation the valves should be installed using pipes of its same nominal size. Water quality should be according VDI 2035. Use at least one strainer for each installation.



Via Circonvallazione, 10  
13018 Valduggia (VC), Italy  
Tel: +39 0163 47891  
Fax: +39 0163 47895  
www.vironline.com