

914P

Padlockable flanged gate valve with position indicator.



Via Circonvallazione, 10
13018 Valduggia (VC), Italy
Tel: +39 0163 47891
Fax: +39 0163 47895
www.vironline.com



Ductile iron soft sealed gate valve
Padlockable using not supplied padlock and chain
Flanged PN16 according to EN1092-2 (ex DIN2533)
Flat body, lengths according to EN558-1 series 14 (ex DIN3202 F4)
Epoxy coating (min. 250µm)
Non rising stem
WRAS and TR CU 010 compliant

PN16

Free of CE marking for DN≤300 (cat. according to Art. 4.3 Dir. 2014/68/EU)

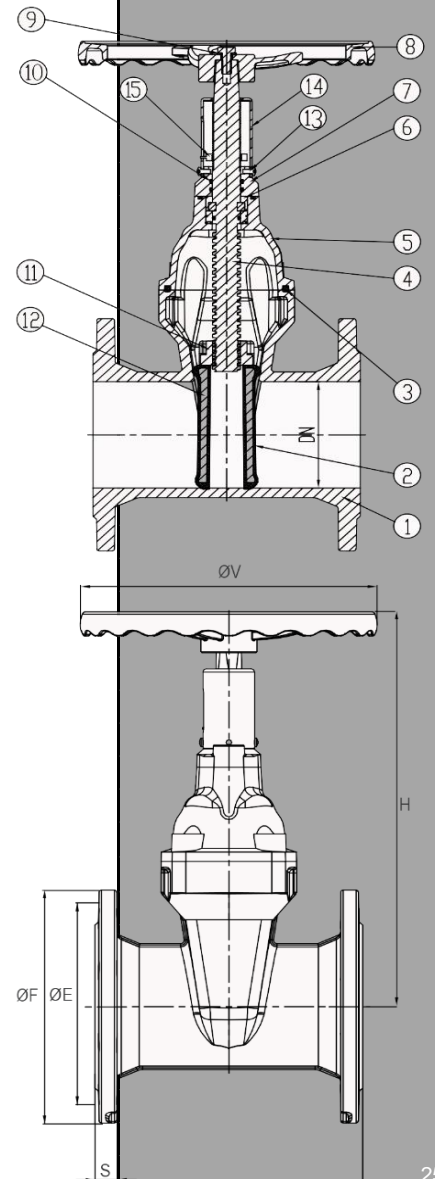
Working conditions

- Suitable for: water, -10°C to +100°C
below 0°C only for water with added antifreeze fluids
- Not suitable for: gases group 1 & 2, liquids group 1 (Dir. 2014/68/EU)



PARTLIST

N.	Componente	Materiale	Norma
1	Body	Ductile iron	EN-GJS 450-10
2	Disc	Ductile iron + EPDM	EN-GJS 450-10
3	Thrust	EPDM	-
4	Stem	Stainless steel	AISI420
5	Bonnet	Ductile iron	EN-GJS 450-10
6	Gland	Ductile iron	EN-GJS 450-1
7	Trust	Brass	CuZn39Pb1
8	Handwheel	Ductile iron	EN-GJS 450-10
9	Bolt	Stainless steel	AISI304
10	O-ring	NBR	-
11	Stem Nut	Brass	CuZn39Pb1
12	Wedge	Ductile Iron	EN-GJS 450-10
13	Screw	Stainless steel	AISI304
14	Cover	Nylon	-
15	Positioner	Nylon	-



DIMENSIONI

DN	ØF [mm]	ØE [mm]	S [mm]	NxØD [mm]	H [mm]	L [mm]	ØV [mm]	K _v [m ³ /h]	Weight [kg]
050	165	125	19	4x19	270	150	180	190	9.4
065	185	145	19	4x19	300	170	200	370	11.8
080	200	160	19	8x19	325	180	200	540	13.8
100	220	180	19	8x19	375	190	220	930	19
125	250	210	19	8x19	415	200	254	1650	24.6
150	285	240	19	8x23	455	210	280	2650	30.9
200	340	295	20	12x23	550	230	315	5500	49