

914

Ductile Iron Soft Sealed Flanged Gate Valve



Via Circonvallazione, 10
13018 Valduggia (VC), Italy
Tel: +39 0163 47891
Fax: +39 0163 47895
www.vironline.com



Ductile iron soft sealed gate valve
Flanged PN16 according to EN1092-2 (ex DIN2533)
Flat body, lengths according to EN558-1 series 14 (ex DIN3202 F4)
Epoxy coating (min. 250µm)
Non rising stem
WRAS and TR CU 010 compliant

PN16
PN10 flange version available from DN200 to DN300
Free of CE marking for DN≤300 (cat. according to Art. 4.3 Dir. 2014/68/EU)

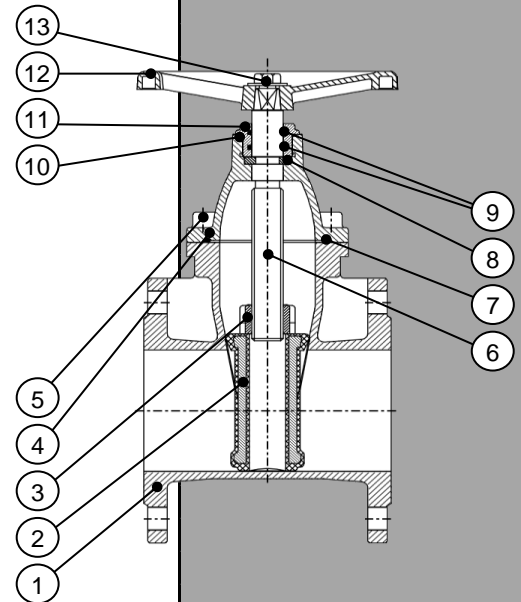
Working conditions

- Suitable for: water, -10°C to +100°C
below 0°C only for water with added antifreeze fluids
- Not suitable for: gases group 1 & 2, liquids group 1 (Dir. 2014/68/EU)



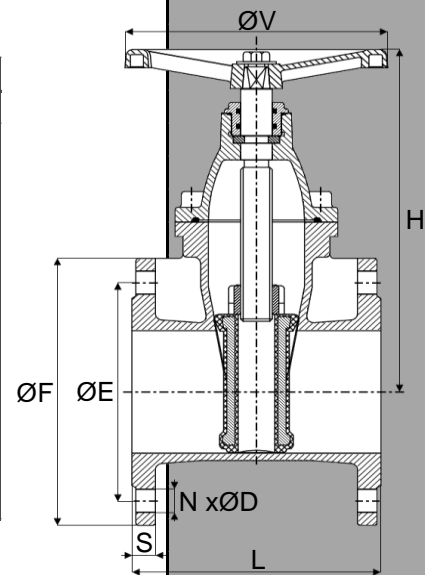
PARTLIST

N.	Part	Material	Norm
1	Body	Ductile iron	EN-GJS 450-10
2	Wedge	Ductile iron + EPDM	EN-GJS 450-10
3	Wedge nut	Brass	-
4	Bonnet	Ductile iron	EN-GJS 450-10
5	Bolt	Carbon steel	-
6	Stem	Stainless steel	2Cr13
7	Gasket	EPDM	-
8	Clamp	Brass	-
9	Stem O-ring	EPDM	-
10	Dust O-ring	EPDM	-
11	Nut	Brass	-
12	Handwheel	Ductile iron	EN-GJS 450-10
13	Nut and washer	Stainless steel	1Cr13



DIMENSIONS

DN	ØF [mm]	ØE [mm]	S [mm]	NxØD [mm]	H [mm]	L [mm]	ØV [mm]	K _v [m ³ /h]	Weight [kg]
040	150	110	18	4x19	184	140	160	140	9
050	165	125	19	4x19	195	150	160	190	12
065	185	145	19	4x19	222	170	200	370	14
080	200	160	19	8x19	251	180	200	540	18
100	220	180	19	8x19	282	190	200	930	23
125	250	210	19	8x19	340	200	250	1650	30
150	285	240	19	8x23	379	210	250	2650	39
200	340	295	20	12x23	461	230	320	5500	60
250	405	355	22	12x28	559	250	370	8900	95
300	460	410	25	12x28	639	270	370	13800	130
350	520	470	27	16x28	762	290	450	15241	195
400	580	525	28	16x31	836	310	450	19910	252



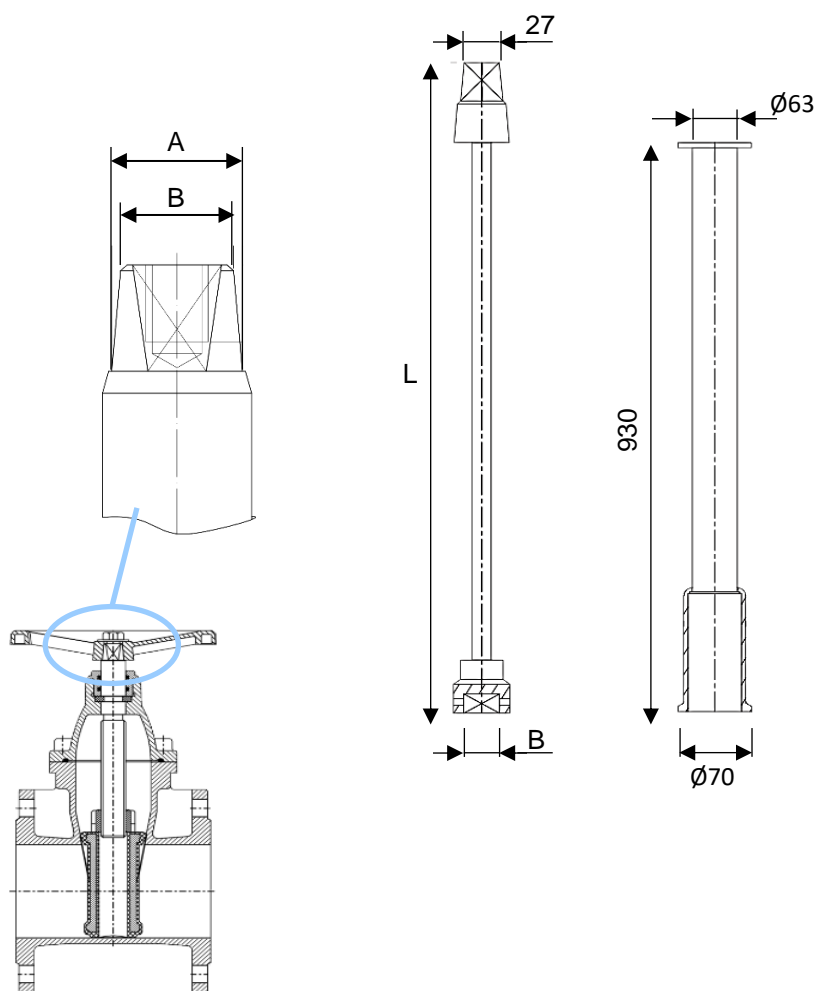
240916

ACCESSORIES _EXTENSION OPERATING DEVICES AND COVER

CODICE	DN	L [mm]	B [mm]	A [mm]	Peso [Kg]
KPR091040.312	040 - 065	1000	15	18	3
KPR091080.312	080 - 100	1000	18	21	3
KPR091125.312	125 - 200	1000	20	23	3
KPR091250.312	250 - 300	1000	25	28	3
KPR091350.312	350 - 400	1000	32	36	3

POLYETHYLENE COVER

KSH091040.2503	040 - 400	930	-	-	0,03
----------------	-----------	-----	---	---	------



®

Via Circonvallazione, 10 13018 Valduggia (VC), Italy Tel: +39 0163 47891 Fax: +39 0163 47895 www.vironline.com