

835

Bronze Swing Check Valve



Via Circonvallazione, 10
13018 Valduggia (VC), Italy
Tel: +39 0163 47891
Fax: +39 0163 47895
www.vironline.com



Bronze swing check valve
Threaded F/F (ISO 228/1)
Brass internal parts, metal seat
TR CU 010 compliant

PN16
Free of CE marking (cat. according to Art. 4.3 Dir. 2014/68/EU)

Working conditions

- Suitable for: water, -10°C to +95°C
below 0°C only for water with added antifreeze fluids
- Not suitable for: gases group 1 & 2, liquids group 1 (Dir. 2014/68/UE)

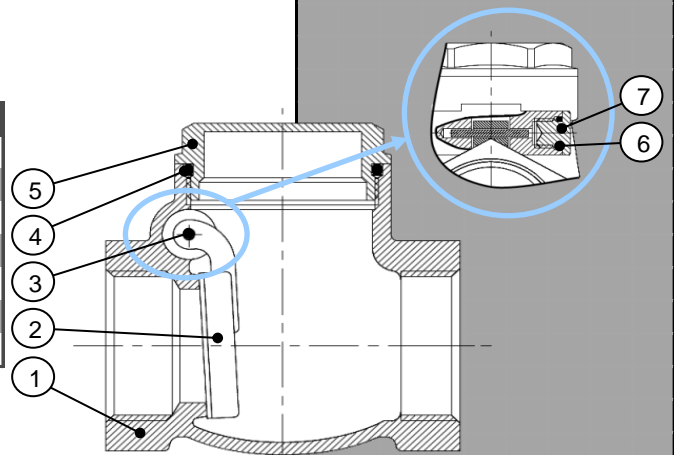


PARTLIST

N.	Part	Material	Norm
1	Body	Bronze	EN1982 CC491K
2	Disc	Brass	EN12165 CW617N
3	Hinge	Brass	EN12164 CW614N
4	Gasket	NBR ¹	-
5	Bonnet	Brass ²	EN12165 CW617N
6	O-ring	NBR	-
7	Cap	Brass	EN12164 CW614N

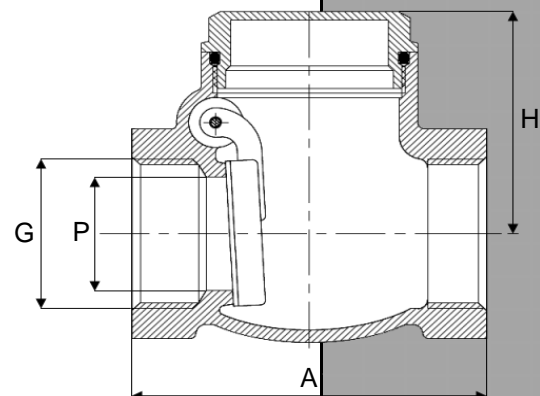
¹PTFE for DN≥32

²EN12164 CW614N for DN10 and DN15



DIMENSIONS

DN	G	A	P	H	K _v	Weight
		[mm]	[mm]	[mm]	[m ³ /h]	[g]
010	3/8"	49	12	31	4	180
015	1/2"	55	14	36	5	210
020	3/4"	62	20	43	18	340
025	1"	72	25	49	35	360
032	1 1/4"	82	30	57	48	699
040	1 1/2"	90	35	63	65	840
050	2"	105	47	69	86	1330
065	2 1/2"	125	60	82	214	2070
080	3"	144	74	91	362	3120
100	4"	176	95	123	507	5490



210507