

Feature

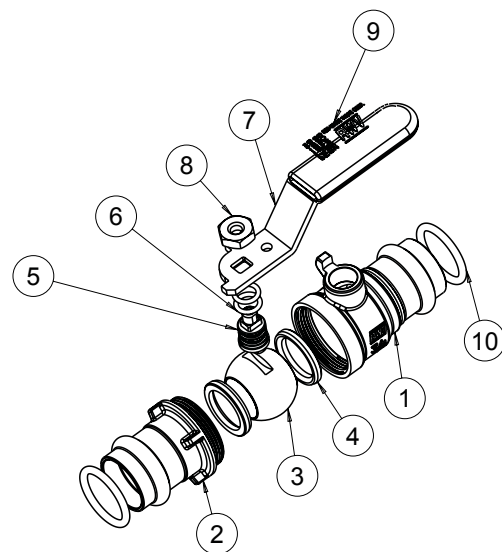
- 600# WOG
- Stainless steel SS316 body, ball and stem
- Full port
- Dual EzPress ends
- PTFE seats
- Stainless steel SS304 handle & nut
- Blow-out proof stem
- Adjustable packing
- MSS-SP-110
- AB1953, NSF/ANSI 61 & 372 certified



Pressure/ Temperature rating	
Valve body and stem	
600 psi from 15 °F to 160 °F	150 psi max. at 366 °F
Press connections	
250 psi from 15 °F to 160 °F	150 psi max. at 250 °F

Material

	Part	Material	Specification
1	Body	Stainless Steel	ASTM A276 S31600
2	End piece	Stainless Steel	ASTM A276 S31600
3	Ball	Stainless Steel	ASTM A276 S31600
4	Seat	Virgin PTFE	PTFE
5	Stem	Stainless Steel	ASTM A276 S31600
6	O-ring	EPDM Perox	NSF approved
7	Handle	Stainless Steel	ASTM A276 S30400
8	Nut	Stainless Steel	ASTM A276 S30400
9	Valve info	-	-
10	O-ring	EPDM Perox	NSF approved



Dimension, Cv, Weight

Size	A [in]	L [in]	H [in]	D [in]	P [in]	C [in]	Cv	Wt. [lb]
½"	2.93	3.60	2.13	0.64	0.59	0.86	15	0.48
¾"	3.54	3.60	2.26	0.89	0.79	0.98	30	0.70
1"	3.90	4.98	2.58	1.14	0.98	1.06	60	1.26
1¼"	4.29	4.98	2.82	1.39	1.26	1.06	110	1.64
1½"	5.24	5.57	3.29	1.64	1.57	1.26	130	2.54
2"	6.18	5.57	3.58	2.14	1.97	1.46	360	3.74

