

Lead Free Bronze Full Port Ball Valve

Feature

- 150# WSP / 600# WOG
- Lead free bronze body
- Full port
- Adjustable packing
- FNPT x FNPT
- Threaded ends (ASME B1.20.1-NPT)
- Blow-out proof stem
- MSS-SP-110
- 29 in-Hg rating for Vacuum Service
- AB1953, NSF/ANSI/CAN 61 & 372 certified
- IAPMO Z1153

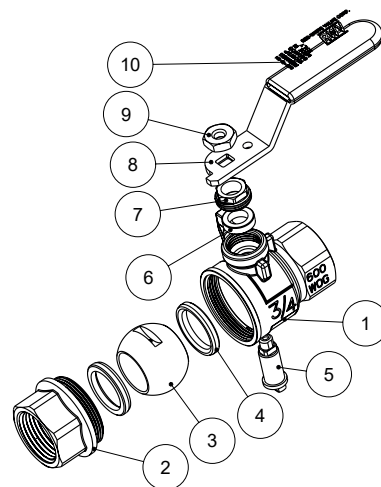
Meets BAA Requirement

Pressure / Temperature rating	
600 psi from 15 °F to 160 °F	150 psi max. at 366 °F



Material

	Part	Material	Specification
1	Body	Lead Free Bronze	ASTM B584 C87600
2	End piece	Lead Free Bronze	ASTM B584 C87600
3	Ball	Lead Free Brass / Cr plated	ASTM B927 C27450
4	Seat	PTFE	PTFE
5	Stem	Lead Free Brass	ASTM B927 C27450
6	Packing	Grafoil®	Grafoil®
7	Packing nut	Brass	ASTM B124 C37700
8	Handle	Steel / Geomet® plated	ASTM A36
9	Handle nut	Steel / Zn plated	ASTM A36
10	Valve info	-	-



Dimension, Cv, Weight

	A	L	H	P	C	Cv	Wt.
	[in]	[in]	[in]	[in]	[in]		[lb]
3/8"	1.81	3.19	1.55	0.39	0.49	8	0.32
1/2"	2.24	3.60	2.13	0.39	0.61	15	0.59
3/4"	2.64	3.60	2.26	0.79	0.65	30	0.86
1"	3.03	4.98	2.57	0.98	0.77	60	1.41
1 1/4"	3.58	4.98	2.80	1.26	0.85	110	2.20
1 1/2"	4.06	5.57	3.28	1.57	0.85	130	3.16
2"	4.80	5.57	3.58	1.97	0.98	360	4.94

