

500I

Polypropylene Random Under Plaster Ball Valve



Via Circonvallazione, 10
13018 Valduggia (VC), Italy
Tel: +39 0163 47891
Fax: +39 0163 47895
www.vironline.com



Polypropylene random ball valve

Soldering ends

One piece body

Blow-out proof stem

Available in the following versions:

- Fig. 500IM, with triangular handle
- Fig. 500IS-L, with light cover and plate
- Fig. 500IS-H, with heavy cover and plate

TR CU 010 compliant

PN20

Free of CE marking (cat. according to Art. 4.3 Dir. 2014/68/EU)

Working conditions

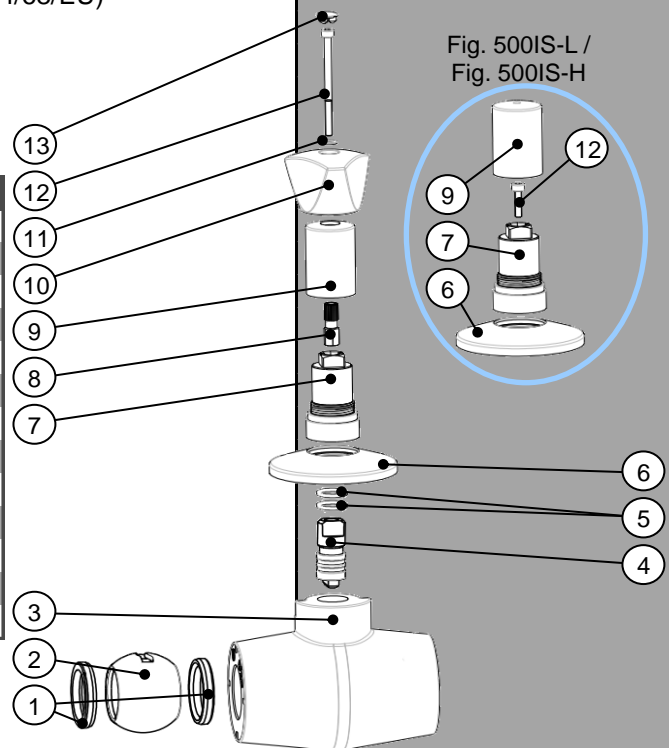
- Suitable for: water, 0°C to +75°C
- Not suitable for: gases group 1 & 2, liquids group 1 (Dir. 2014/68/EU)



PARTLIST

N.	Part	Material	Norm
1	Seat	PTFE	-
2	Ball	Chromium pl. brass	EN12164 CW617N
3	Body	Polyprop. random	-
4	Stem	Brass	EN12164 CW617N
5	O-ring	NBR	-
6	Plate	Chromium pl. brass	EN12165 CW508L
7	Extension	PA6 Polyamide ¹	-
8	Joint	Brass	EN12164 CW617N
9	Cap	Chromium pl. brass	EN12165 CW617N
10	Handle	Chrom. pl. zinc alloy	EN1774 ZnAl4Cu1
11	Washer	Zinc plated steel	EN10025 Fe42
12	Screw	Zinc plated steel	EN10025 Fe42
13	Cap	ABS	-

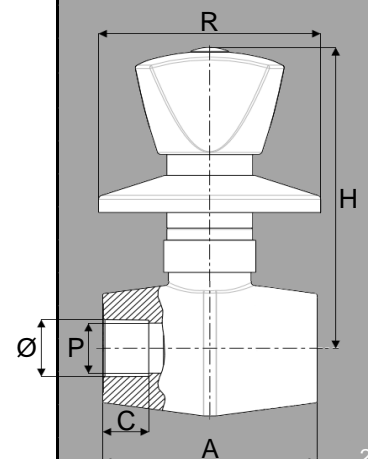
¹50% glass fiber reinforced



DIMENSIONS

DN	Ø	A	C	P	H ¹	R	K _v	Weight ¹
	[mm]	[mm]	[mm]	[mm]	[mm]	[mm]	[m ³ /h]	[g]
020	20	67,5	14,5	15	102/83/83	70	2,6	340/201/239
025	25	70,5	16,0	15	102/83/83	70	2,6	359/220/258
032	32	79,5	18,1	20	106/87/87	70	5,3	407/268/306

¹Fig. 500IM / Fig. 500IS-L / Fig. 500IS-H



201014