

4525

Ductile Iron Wafer Butterfly Valve



Via Circonvallazione, 10
13018 Valduggia (VC), Italy
Tel: +39 0163 47891
Fax: +39 0163 47895
www.vironline.com



Ductile iron Wafer butterfly valve for drinking water
For EN1092 PN25 flanges
Lengths according to EN558-1 series 20 (ex DIN3202 K1)
Design according to EN593, testing according to EN12266-1
Epoxy coating (min. 250µm)
With lever (lockable in both open and close position) or manual gear
ACS and WRAS (DN32-DN300) compliant

PN25

Free of CE marking for DN≤200 (cat. according to Art. 4.3 Dir. 2014/68/EU)

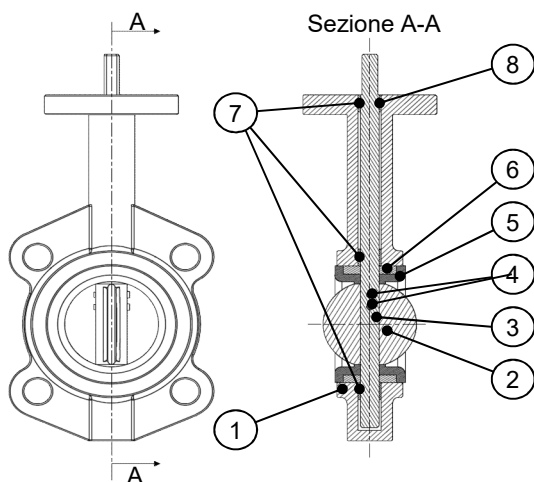
Working conditions

- Suitable for: water, -10°C to +110°C (max 85°C for WRAS)
below 0°C only for water with added antifreeze fluids
- Not suitable for: gases group 1 & 2, liquids group 1 (Dir. 2014/68/EU)



PARTLIST

N.	Part	Material	Norm
1	Body	Ductile iron + epoxy	GGG40
2	Disc	Stainless steel	SS316
3	Stem	Stainless steel	SS431
4	Taper pin	Stainless steel	SS316
5	Seat	EPDM	-
6	Seat support	Plastic	-
7	Bushing	PTFE	-
8	O-ring	EPDM	-
9a	Lever	Cast iron	-
9b	Manual gear	Cast iron	-

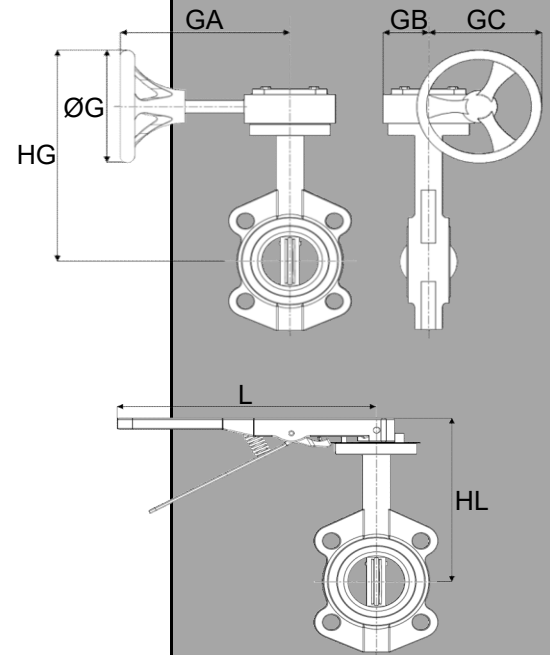


251121

DIMENSIONS WITH LEVER OR GEAR

DN	L [mm]	HL [mm]	GA [mm]	GB [mm]	GC [mm]	HG [mm]	ØG [mm]	Weight ¹ [kg]
050	260	191	152	52	118	277	145	3,8 / 6,7
065	260	205	152	52	118	291	145	4,7 / 7,6
080	260	211	152	52	118	297	145	4,8 / 7,7
100	260	230	152	52	118	316	145	6,8 / 9,7
125	260	243	152	52	118	329	145	8,7 / 11,6
150	260	256	152	52	118	342	145	11,6 / 14,5
200	-	-	250	75	208	450	290	- / 23,0
250	-	-	250	75	208	482	290	- / 31,6
300	-	-	227	81	226	527	290	- / 47,6
350	-	-	227	81	226	558	290	- / 53,3
400	-	-	254	104	326	661	290	- / 108,0
450	-	-	254	104	326	687	290	- / 132,0
500	-	-	301	131	345	753	290	- / 174,0

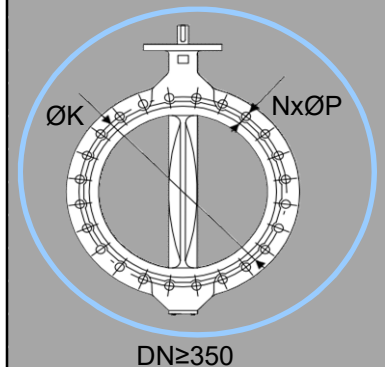
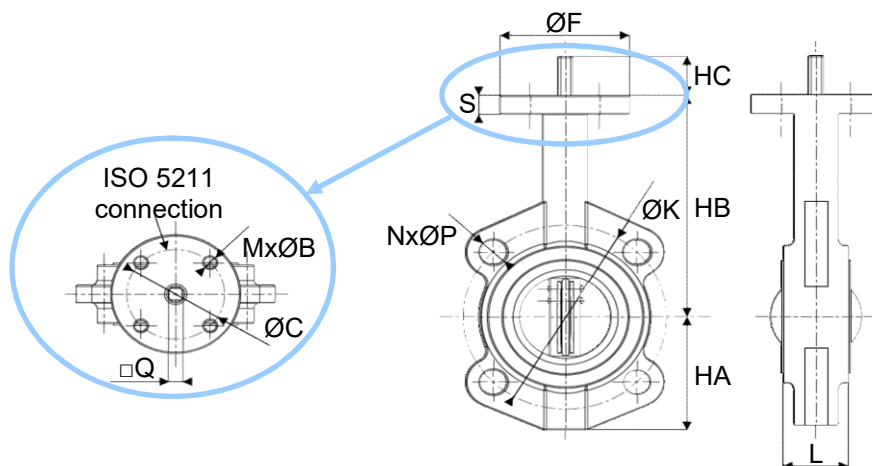
¹Weight for version with lever / weight for version with gear



OTHER DIMENSIONS

DN	HA [mm]	HB [mm]	HC [mm]	NxØP [mm]	ØK [mm]	L [mm]	ØF [mm]	S [mm]	MxØB [mm]	ØC [mm]	ISO-□Q ¹ [mm]	Torque [Nm]	K _v [m ³ /h]	Wgt [kg]
050	80	161	30	4x19	125	42	90	13	4x10	70	F07 - □9	28	99	3,0
065	89	175	30	4x19	145	44,7	90	13	4x10	70	F07 - □9	35	170	3,9
080	95	181	30	4x19	160	46	90	13	4x10	70	F07 - □9	45	261	4,0
100	114	200	30	4x23	190	52	90	13	4x10	70	F07 - □11	82	519	6,0
125	127	213	30	4x28	220	54,4	90	13	4x10	70	F07 - □14	111	884	7,9
150	139	226	30	4x28	250	55,8	90	13	4x10	70	F07 - □14	219	1366	10,8
200	175	260	36	4x28	310	60,6	125	14	4x12	102	F10 - □17	349	2713	14,5
250	203	292	36	4x31	370	65,6	125	14	4x12	102	F10 - □22	617	4697	23,1
300	242	337	40	4x31	430	76,9	150	20	4x14	125	F12 - □22	912	7136	37,1
350	267	368	42	4x34	490	76,5	150	20	4x14	125	F12 - □22	-	10308	42,8
400	310	406	50	16x36	550	102	210	20	4x23	165	F16-Ø38,0	-	14175	81,0
450	330	432	50	20x36	600	114	210	20	4x23	165	F16-Ø42,9	-	18774	105,0
500	361	480	60	20x36	660	127	210	22	4x23	165	F16-Ø45,7	-	24140	147,0

¹Round stem with key (10mm for DN400-DN500)



Via Circonvallazione, 10
13018 Valduggia (VC), Italy
Tel: +39 0163 47891
Fax: +39 0163 47895
www.vironline.com

FITTING VIR ACTUATORS

DN	Cutter-AQ electric actuators		Hovercraft pneumatic act. ¹	
	230VAC	24VDC	Double acting	Spring return
050	KACUTAQ02.800	KACUTAQ02.800	KAHOVER15.801	KAHOVER31.801
065	KACUTAQ02.800	KACUTAQ02.800	KAHOVER16.801	KAHOVER32.801
080	KACUTAQ02.800	KACUTAQ02.800	KAHOVER17.801	KAHOVER32.801
100	KACUTAQ03.800	KACUTAQ08.800	KAHOVER18.801	KAHOVER34.801
125	KACUTAQ04.800	KACUTAQ09.800	KAHOVER19.801	KAHOVER35.801
150	KACUTAQ06.800	KACUTAQ10.800	KAHOVER21.801	KAHOVER37.801 ²
200	KACUTAQ07.800	on request	KAHOVER22.801	KAHOVER38.801
250	KACUTAQ11.800	on request	KAHOVER24.801	on request
300	on request	on request	KAHOVER25.801	on request
350	on request	on request	on request	on request
400	on request	on request	on request	on request
450	on request	on request	on request	on request
500	on request	on request	on request	on request

¹Pneumatic actuators sized on 6bar air supply

²Flange adaptors required

Mounting of proposed actuators requires specific square connection adaptors

Technical description and dimensions of actuators as reported in their specific technical sheets



Via Circonvallazione, 10
 13018 Valduggia (VC), Italy
 Tel: +39 0163 47891
 Fax: +39 0163 47895
 www.vironline.com