

330

Full Port Brass Ball Valve



Via Circonvallazione, 10
13018 Valduggia (VC), Italy
Tel: +39 0163 47891
Fax: +39 0163 47895
www.vironline.com



Full port brass ball valve
Threaded F/F (ISO 228/1)
Air testing according to EN12266-1
Blow-out proof stem
O-ring + adjustable packing
With handle or butterfly (up to DN≤50)
ACS (DN≤50), VA, WRAS (DN≤50) and TR CU 010 compliant

PN25 (when used with air PN16 for DN≤50, PN10 for DN≥65)
Free of CE marking (cat. according to Art. 4.3 Dir. 2014/68/EU)

Working conditions

- Suitable for: water, 0°C to +95°C
- Suitable for: air, -10°C to +110°C
- Not suitable for: gases and liquids group 1 (Dir. 2014/68/EU)



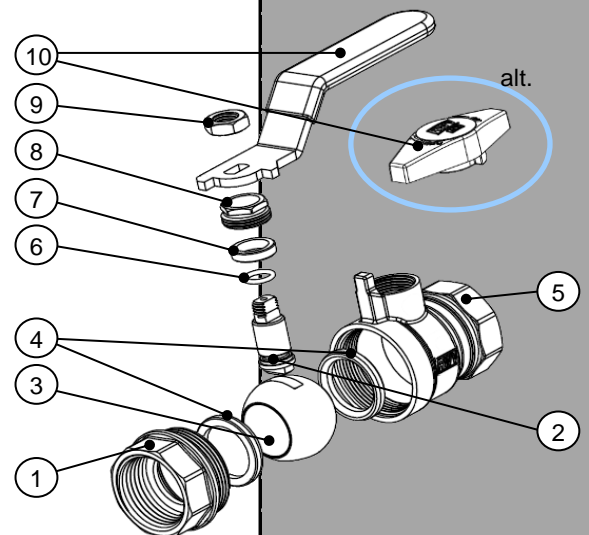
PARTLIST

N.	Part	Material	Norm
1	Fixed end	Nickel plated brass ¹	-
2	Stem	Brass	-
3	Ball	Chromium pl. brass	-
4	Seat	PTFE	-
5	Body	Nickel plated brass ¹	-
6	O-ring	NBR 70SH	-
7	Packing	PTFE	-
8	Packing nut	Brass	-
9	Nut	Zinc plated steel	-
10	Handle	Dacromet steel ²	-
10 _{alt}	Butterfly	Aluminum ³	-

¹Threads and internal parts not plated for DN≤50

²With red PVC cover

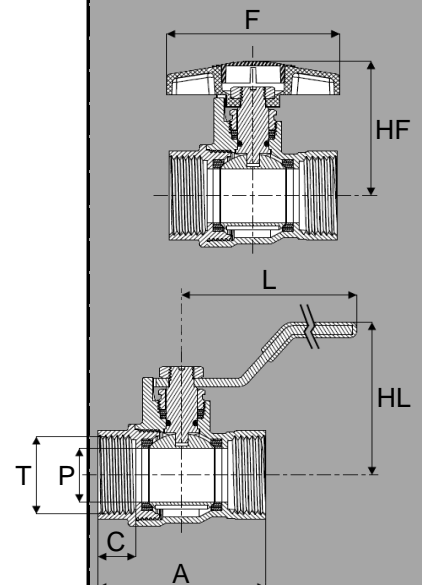
³With blue nylon nut cover



DIMENSIONS

DN	T	A	C	P	HL	L	HF	F	Weight ¹
		[mm]	[mm]	[mm]	[mm]	[mm]	[mm]	[mm]	[g]
008	¼"	41,0	9,5	10,0	39	81	38,0	46	120 / 100
010	⅜"	41,0	9,5	10,0	39	81	38,0	46	124 / 104
015	½"	47,4	11,5	14,7	51	91	44,4	55	178 / 143
020	¾"	53,2	12,0	18,5	52	91	45,8	55	240 / 205
025	1"	65,0	14,5	24,0	60	126	55,4	80	420 / 360
032	1¼"	77,0	16,0	31,0	66	126	61,4	80	590 / 530
040	1½"	87,0	18,0	37,0	73	141	70,6	110	850 / 780
050	2"	100,0	18,0	49,5	83	141	79,9	110	1330 / 1260
065	2½"	130,0	25,0	62,0	106	281	-	-	2963
080	3"	151,2	28,0	74,0	115	281	-	-	3747
100	4"	177,2	31,5	90,0	127	281	-	-	5841

¹Weight for lever handle version / weight for butterfly handle version



201020